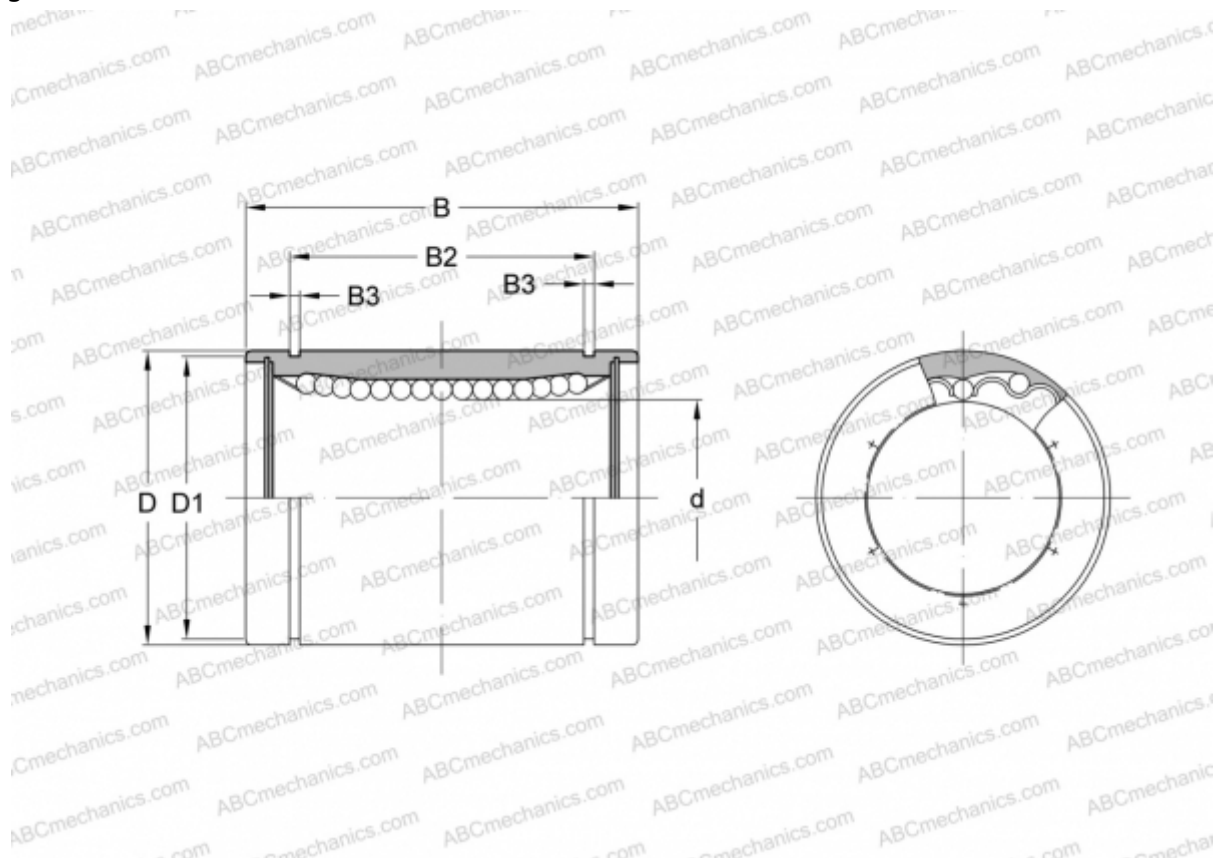


## SW 64 NB

Linear bushing

TYPE: Shaft guidance systems, Linear bushing, Standard, Close type, Type SW, American standard, Steel cage (NB)



### Technical specification

#### DIMENSIONS, MM

d	101,600
D	152,400
B	203,200
D1	145,923
B2	158,950
B3	3,530

**WEIGHT, KG** 10,200

**MANUFACTURER** [NB](#)