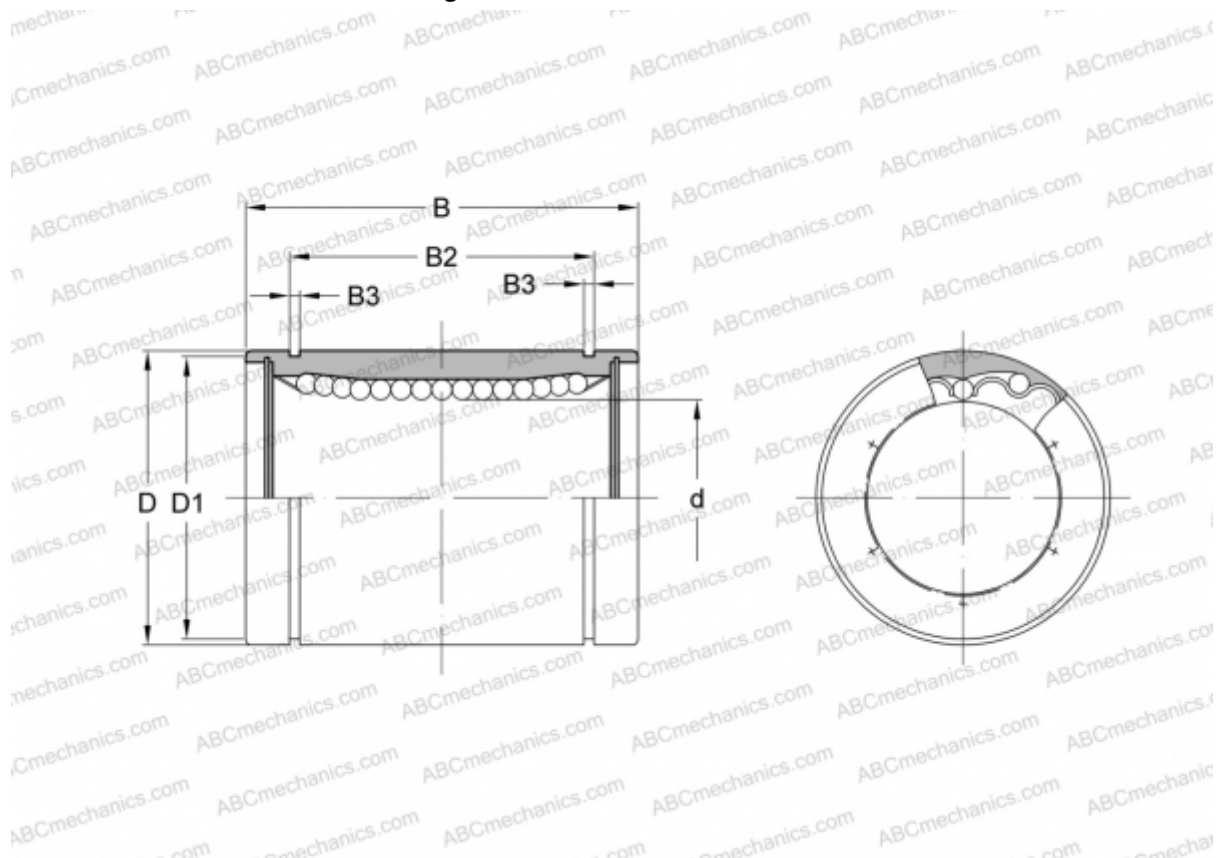


## SWS 32 NB

Linear bushing

TYPE: Shaft guidance systems, Linear bushing, Standard, Close type, Type SW, American standard, Corrosion resistance, Stainless steel cage (NB)



### Technical specification

#### DIMENSIONS, MM

d	50,800
D	76,200
B	101,600
D1	72,085
B2	81,070
B3	2,616

**WEIGHT, KG** 1,310

**MANUFACTURER** [NB](#)