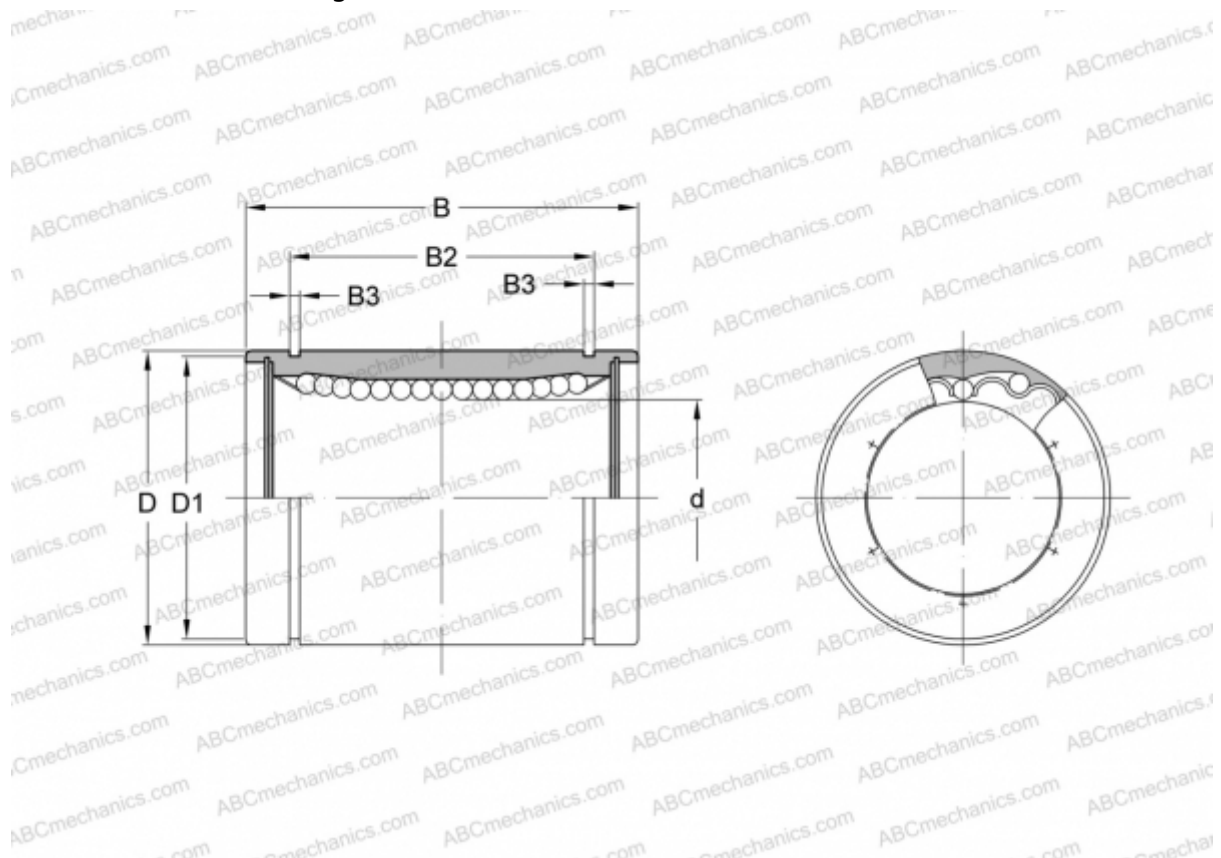


SWS 16G NB

Linear bushing

TYPE: Shaft guidance systems, Linear bushing, Standard, Close type, Type SW, American standard, Corrosion resistance, Plastic cage (NB)



Technical specification

DIMENSIONS, MM

d	25,400
D	39,688
B	57,150
D1	37,306
B2	44,570
B3	1,727

WEIGHT, KG 0,220

MANUFACTURER [NB](#)