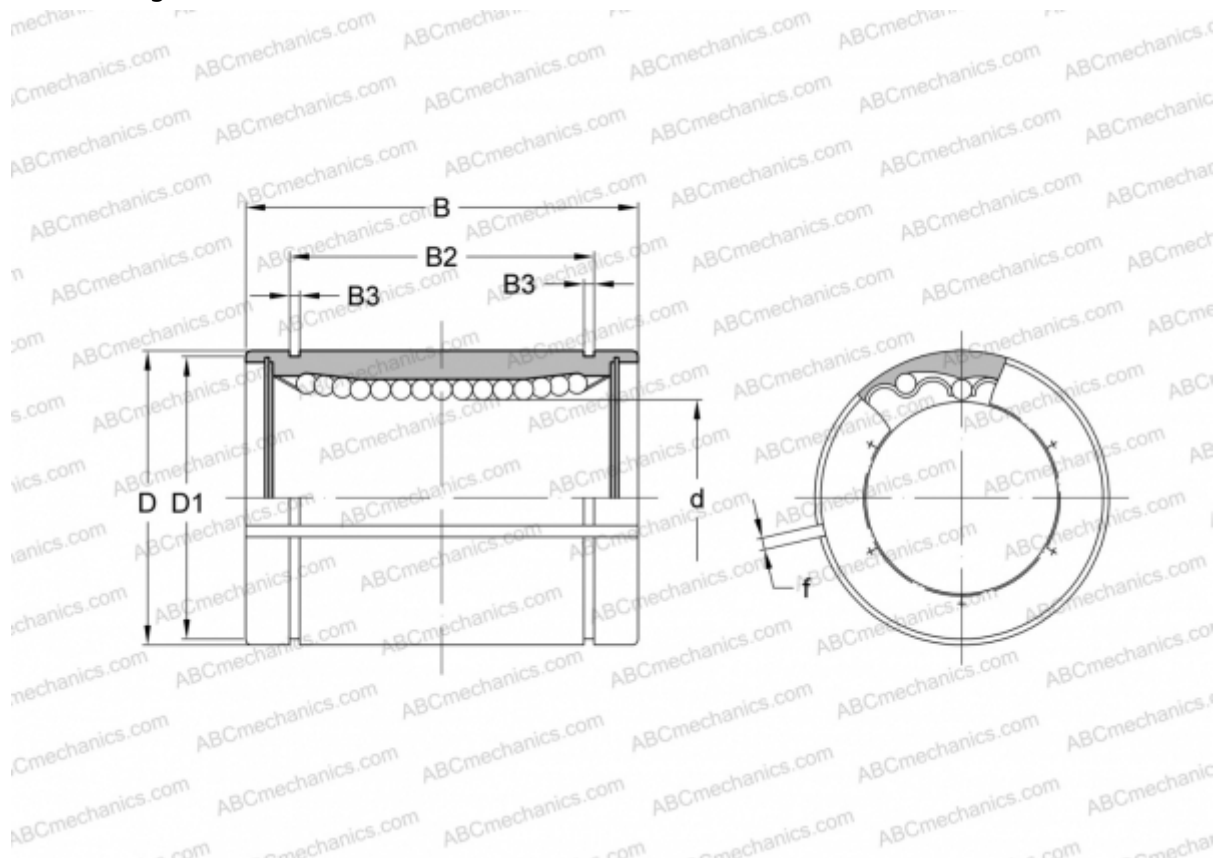


SW 48-AJ NB

Linear bushing

TYPE: Shaft guidance systems, Linear bushing, Standard, Adjustable type, Type SW..AJ, American standard, Steel cage (NB)



Technical specification

DIMENSIONS, MM

d	76,200
D	114,300
B	152,400
D1	109,474
B2	120,040
B3	3,048
f	3,000

WEIGHT, KG 4,350

MANUFACTURER [NB](#)