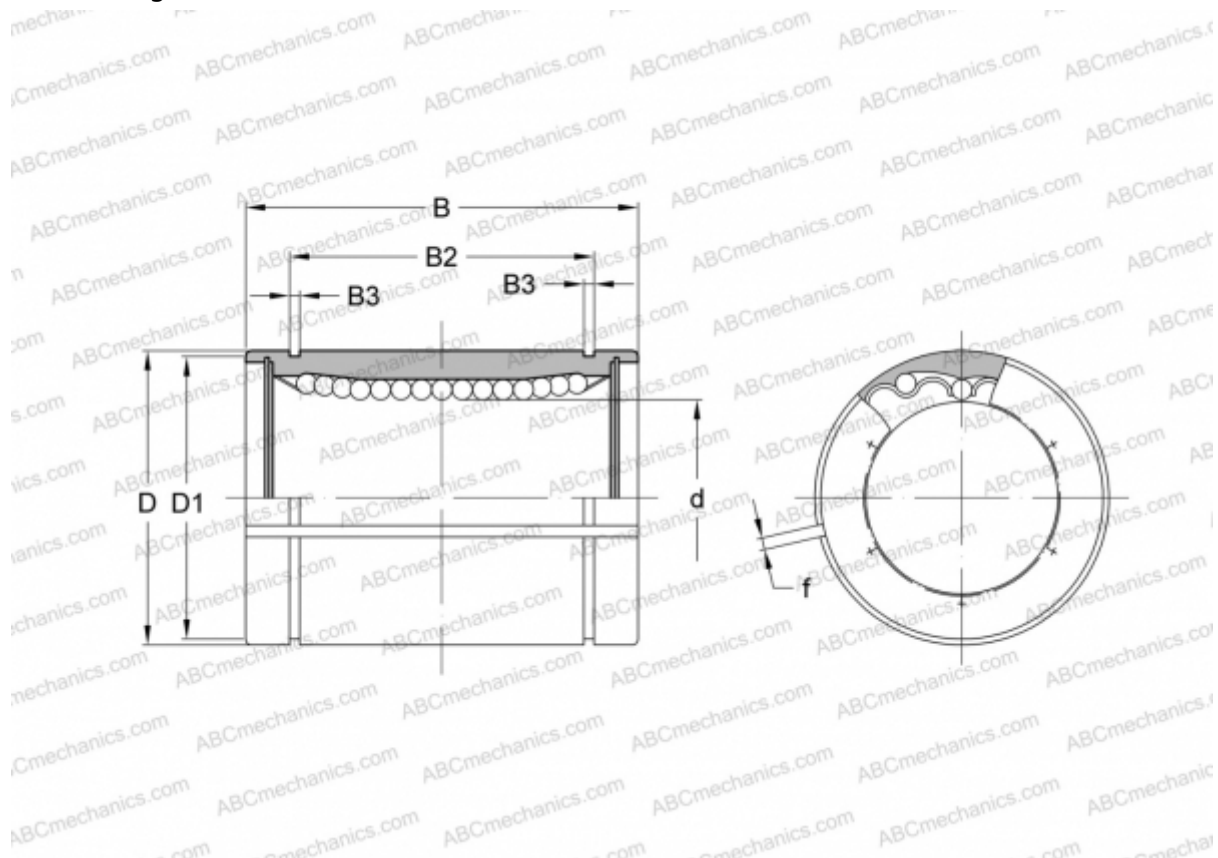


## SW 64-AJ NB

Linear bushing

TYPE: Shaft guidance systems, Linear bushing, Standard, Adjustable type, Type SW..AJ, American standard, Steel cage (NB)



### Technical specification

#### DIMENSIONS, MM

d	101,600
D	152,400
B	203,200
D1	145,923
B2	158,950
B3	3,530
f	3,000

**WEIGHT, KG** 10,150

**MANUFACTURER** [NB](#)