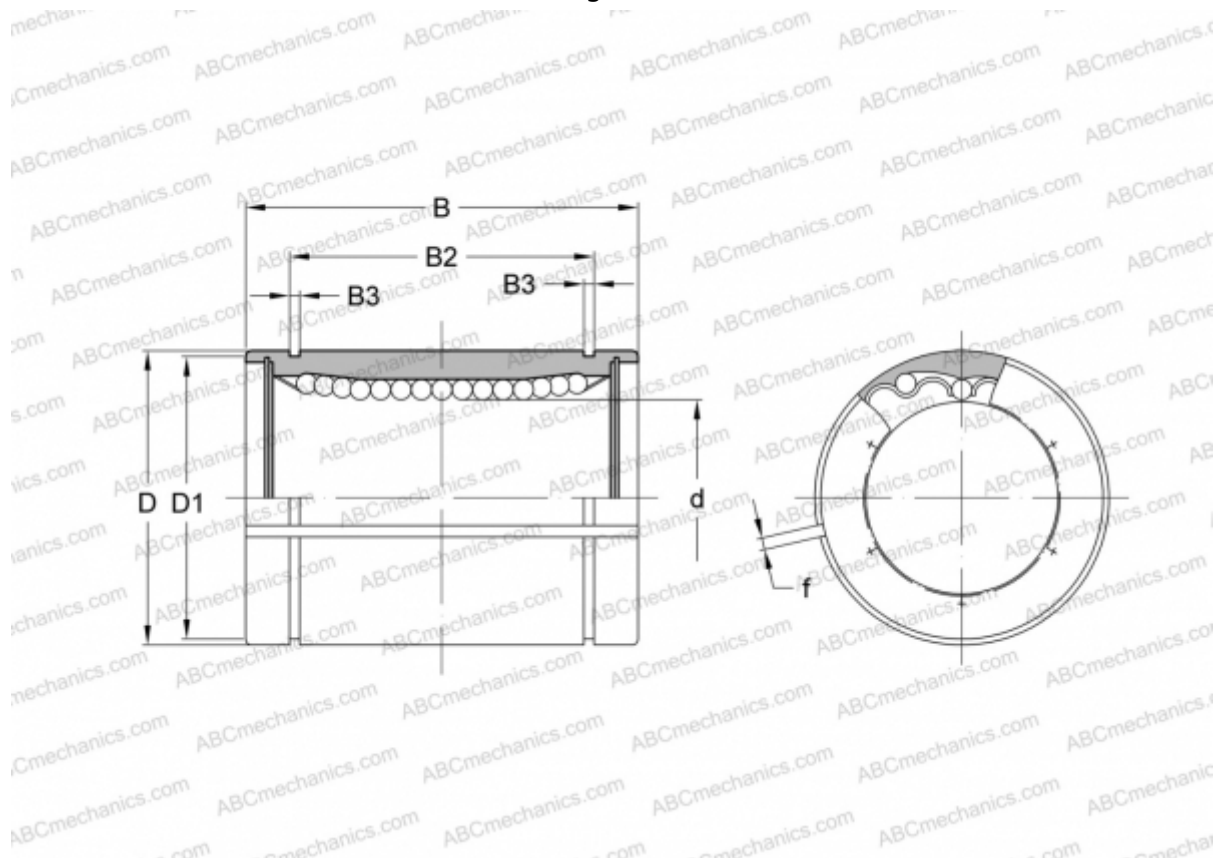


SWS 20-AJ NB

Linear bushing

TYPE: Shaft guidance systems, Linear bushing, Standard, Adjustable type, Type SW..AJ, American standard, Corrosion resistance, Stainless steel cage (NB)



Technical specification

DIMENSIONS, MM

| | |
|----|--------|
| d | 31,750 |
| D | 50,800 |
| B | 66,675 |
| D1 | 47,904 |
| B2 | 50,920 |
| B3 | 1,727 |
| f | 2,500 |

WEIGHT, KG 0,455

MANUFACTURER [NB](#)