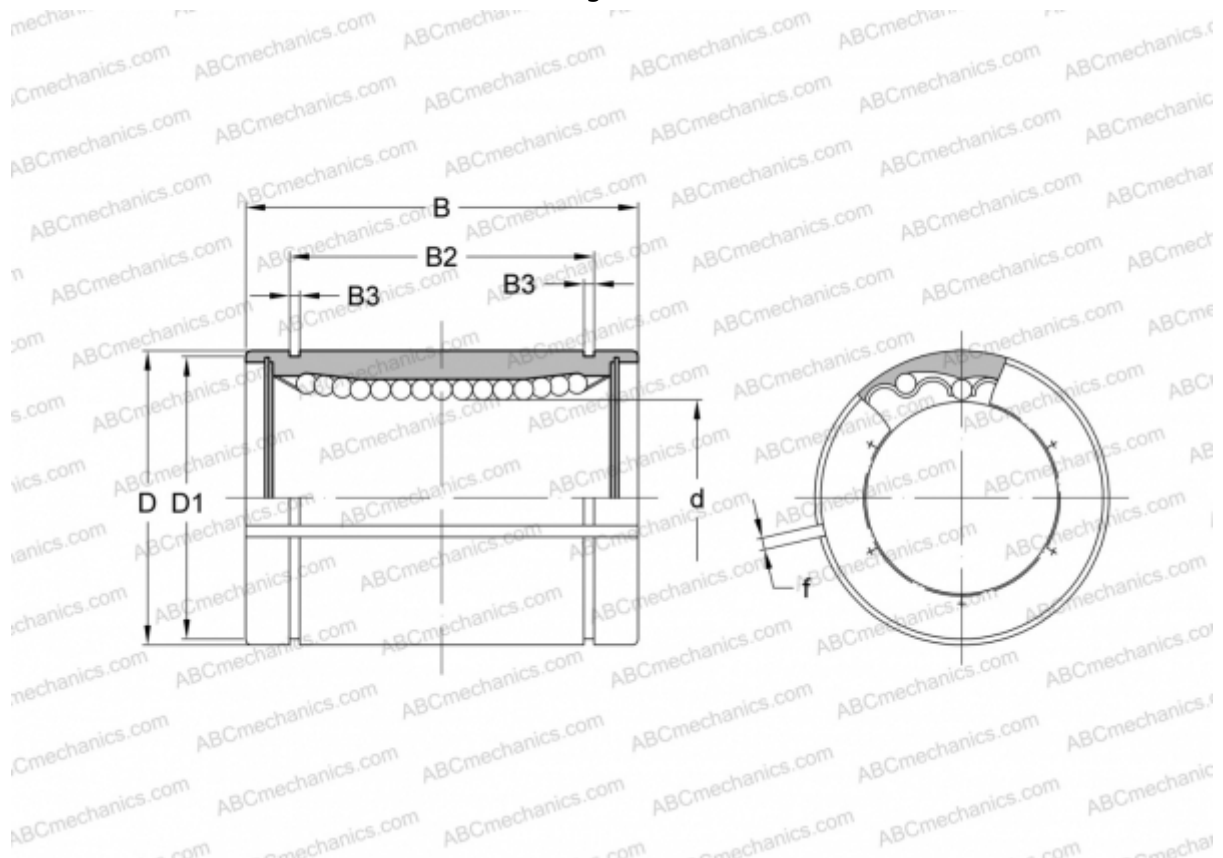


SWS 32-AJ NB

Linear bushing

TYPE: Shaft guidance systems, Linear bushing, Standard, Adjustable type, Type SW..AJ, American standard, Corrosion resistance, Stainless steel cage (NB)



Technical specification

DIMENSIONS, MM

| | |
|----|---------|
| d | 50,800 |
| D | 76,200 |
| B | 101,600 |
| D1 | 72,085 |
| B2 | 81,070 |
| B3 | 2,616 |
| f | 3,000 |

WEIGHT, KG 1,290

MANUFACTURER [NB](#)