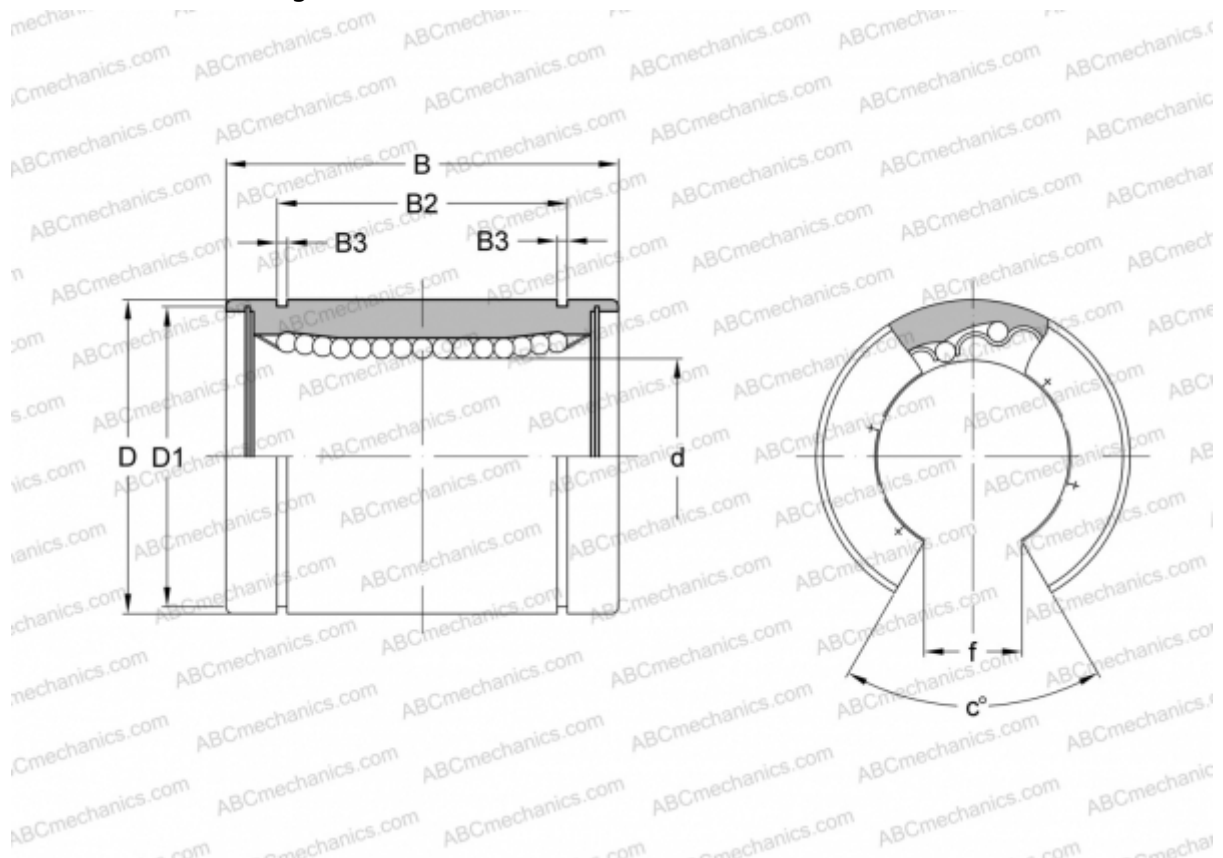


## SW 40-OP NB

Linear bushing

TYPE: Shaft guidance systems, Linear bushing, Standard, Open type for support rail, Type SW..OP, American standard, Steel cage (NB)



### Technical specification

#### DIMENSIONS, MM

d	63,500
D	95,250
B	127,000
D1	90,220
B2	100,990
B3	3,048
f	31,750
c	50

**WEIGHT, KG** 2,230

**MANUFACTURER** [NB](#)