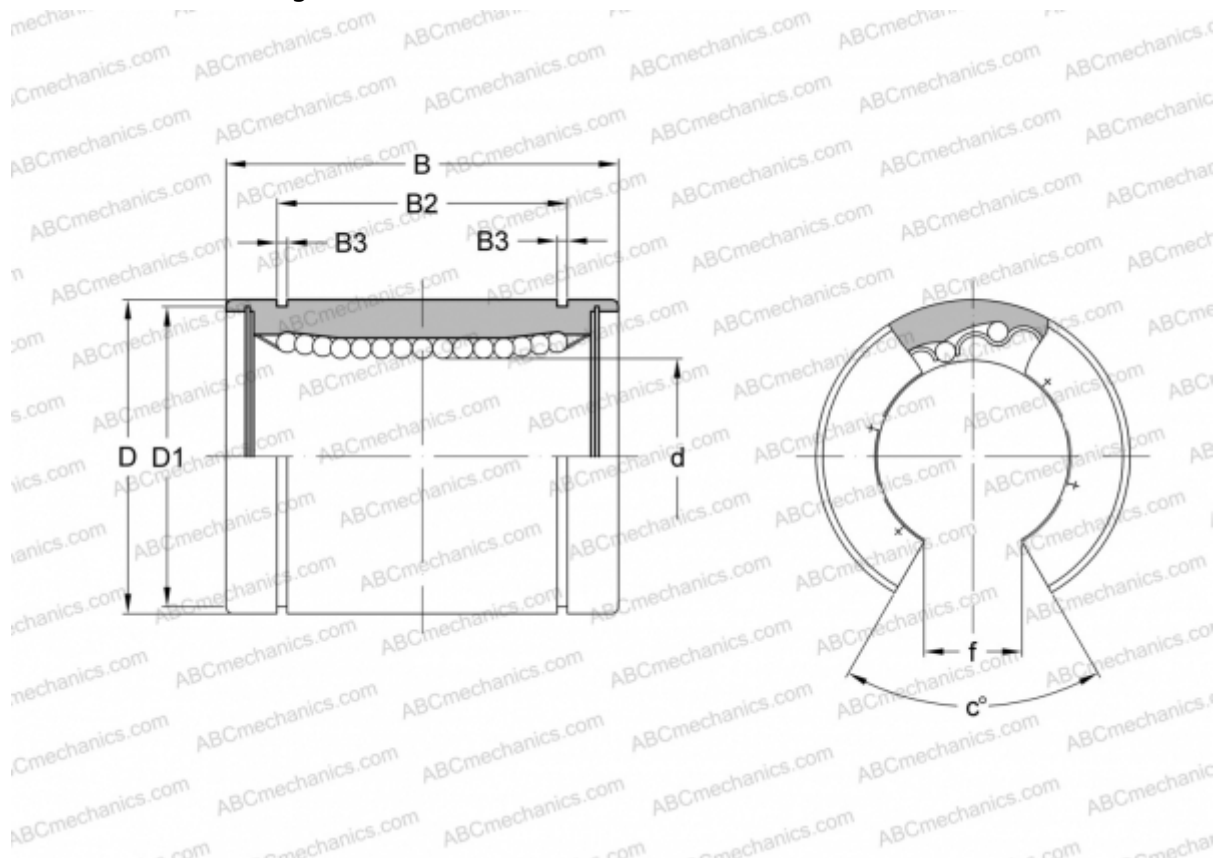


SW 64-OP NB

Linear bushing

TYPE: Shaft guidance systems, Linear bushing, Standard, Open type for support rail, Type SW..OP, American standard, Steel cage (NB)



Technical specification

DIMENSIONS, MM

d	101,600
D	152,400
B	203,200
D1	145,923
B2	158,950
B3	3,530
f	50,800
c	50

WEIGHT, KG 8,740

MANUFACTURER [NB](#)