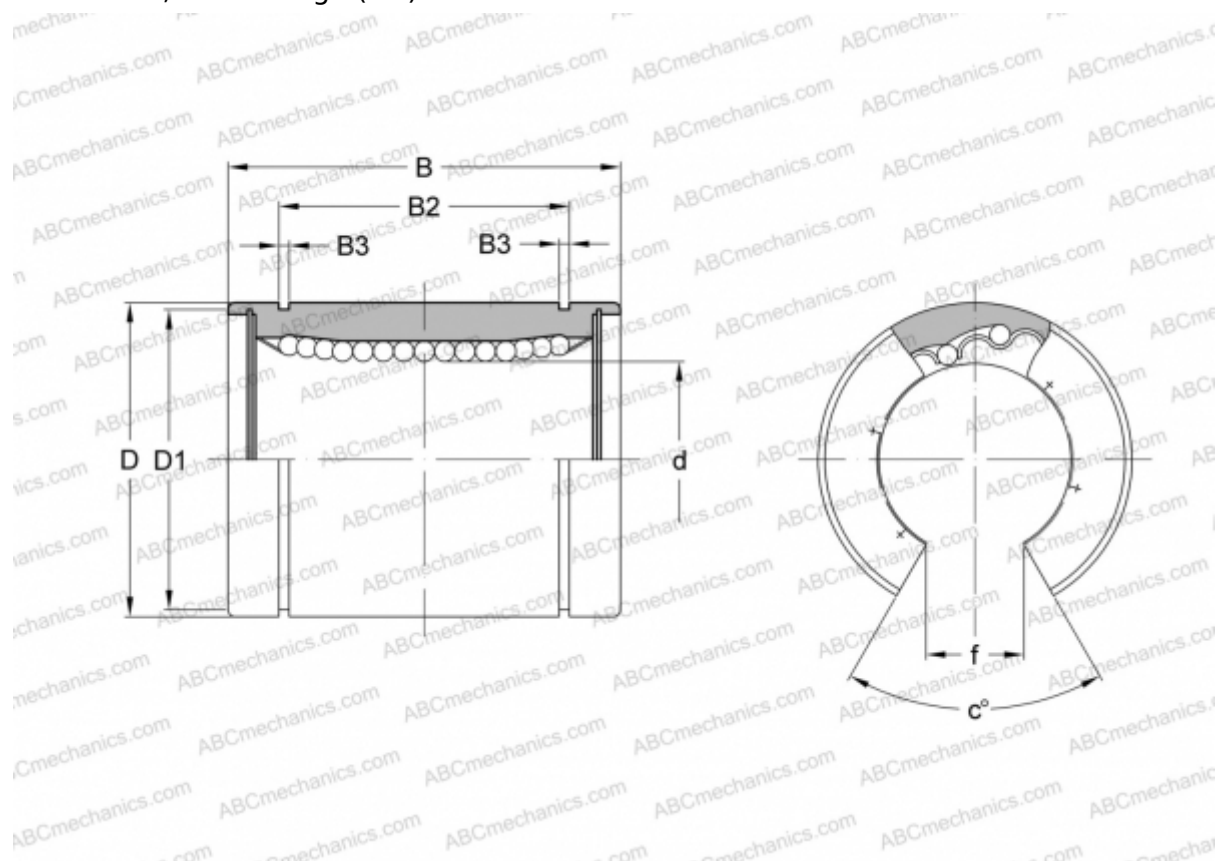


## SW 10G-OP NB

Linear bushing

TYPE: Shaft guidance systems, Linear bushing, Standard, Open type for support rail, Type SW..OP, American standard, Plastic cage (NB)



### Technical specification

#### DIMENSIONS, MM

d	15,875
D	28,575
B	38,100
D1	26,899
B2	28,040
B3	1,422
f	9,525
c	80

**WEIGHT, KG** 0,064

**MANUFACTURER** [NB](#)