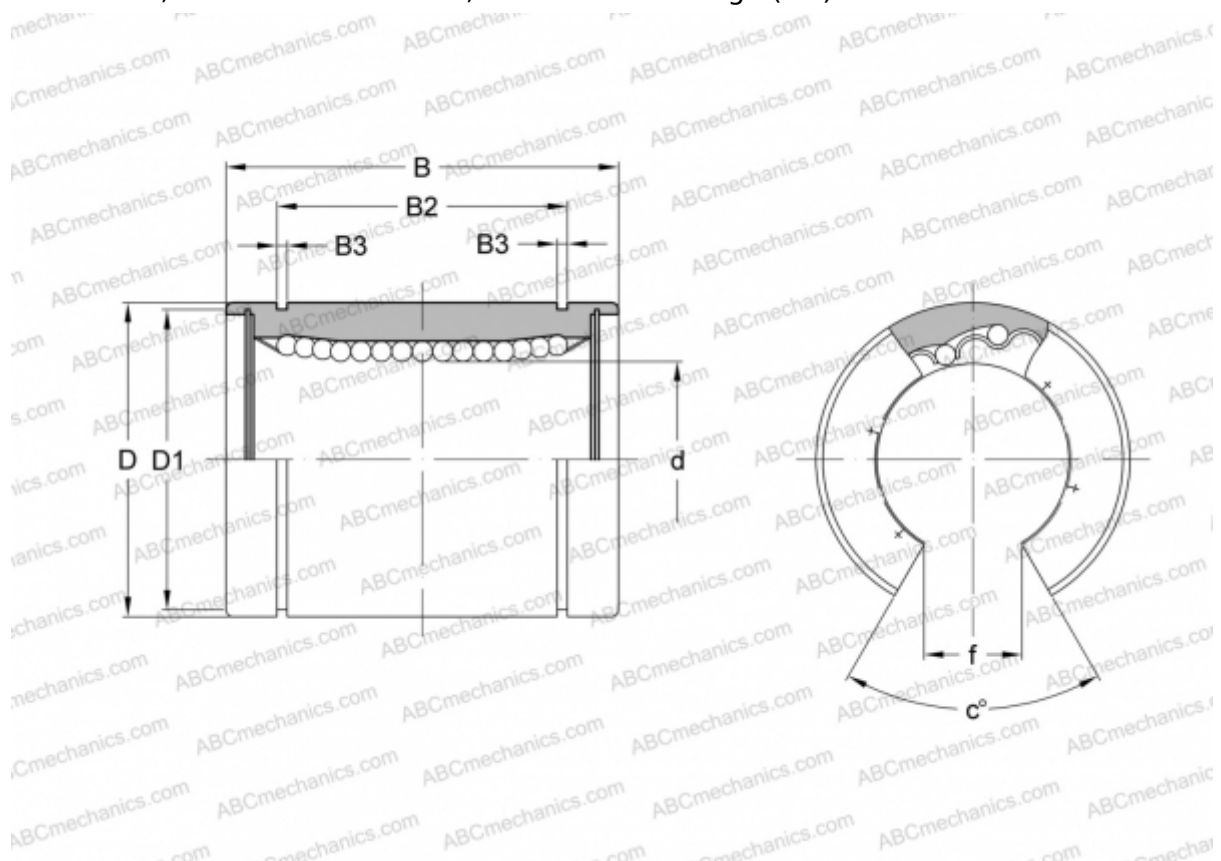


## SWS 12-OP NB

Linear bushing

TYPE: Shaft guidance systems, Linear bushing, Standard, Open type for support rail, Type SW..OP, American standard, Corrosion resistance, Stainless steel cage (NB)



### Technical specification

#### DIMENSIONS, MM

d	19,050
D	31,750
B	41,275
D1	29,870
B2	29,610
B3	1,422
f	11,113
c	60

**WEIGHT, KG** 0,086

**MANUFACTURER** [NB](#)