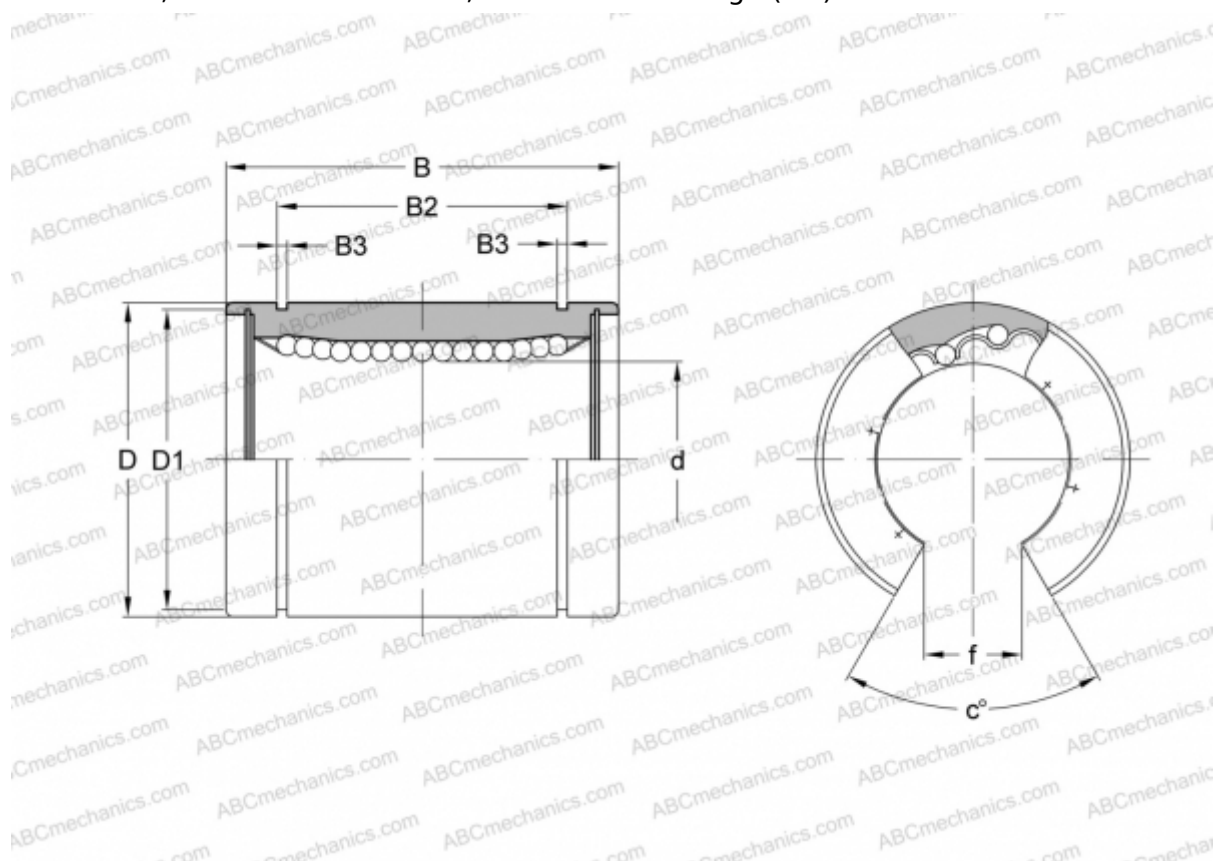


SWS 32-OP NB

Linear bushing

TYPE: Shaft guidance systems, Linear bushing, Standard, Open type for support rail, Type SW..OP, American standard, Corrosion resistance, Stainless steel cage (NB)



Technical specification

DIMENSIONS, MM

d	50,800
D	76,200
B	101,600
D1	72,085
B2	81,070
B3	2,616
f	25,400
c	50

WEIGHT, KG 1,120

MANUFACTURER [NB](#)