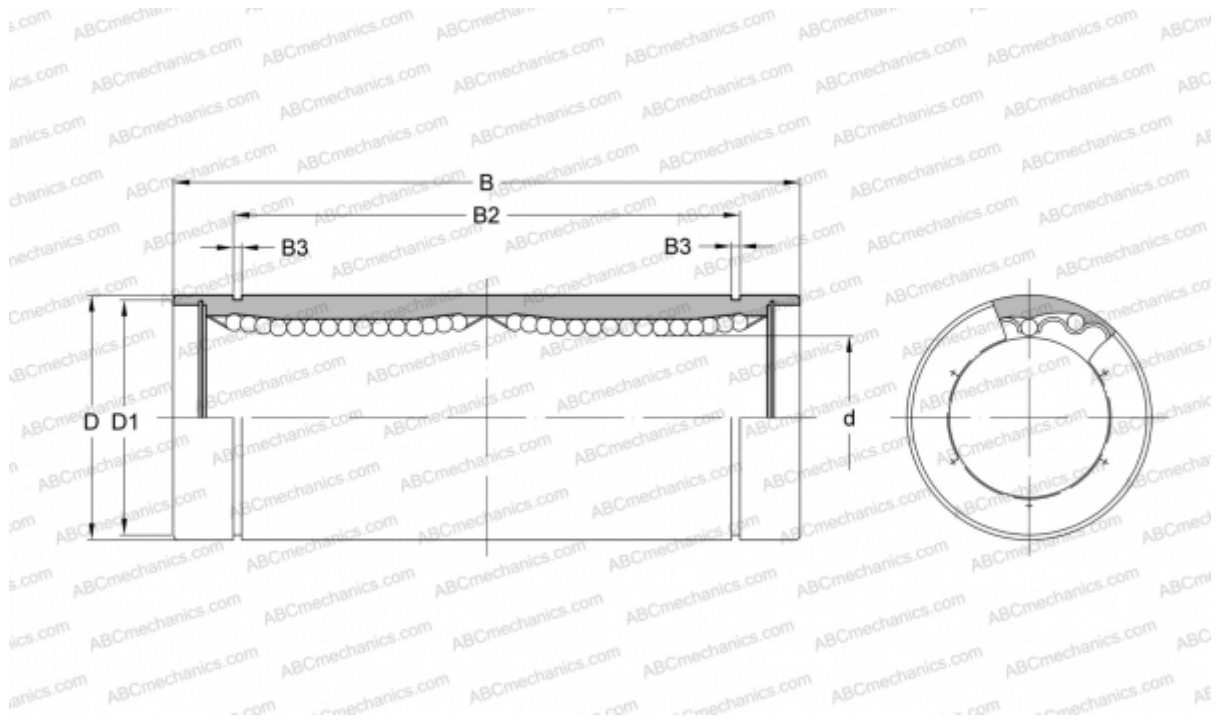


SW 20W NB

Linear bushing

TYPE: Shaft guidance systems, Linear bushing, Standard, Close type, double length, Type SW..W, American standard, Steel cage (NB)



Technical specification

DIMENSIONS, MM

| | |
|----|---------|
| d | 31,750 |
| D | 50,800 |
| B | 127,000 |
| D1 | 47,904 |
| B2 | 101,839 |
| B3 | 1,727 |

WEIGHT, KG 0,820

MANUFACTURER [NB](#)