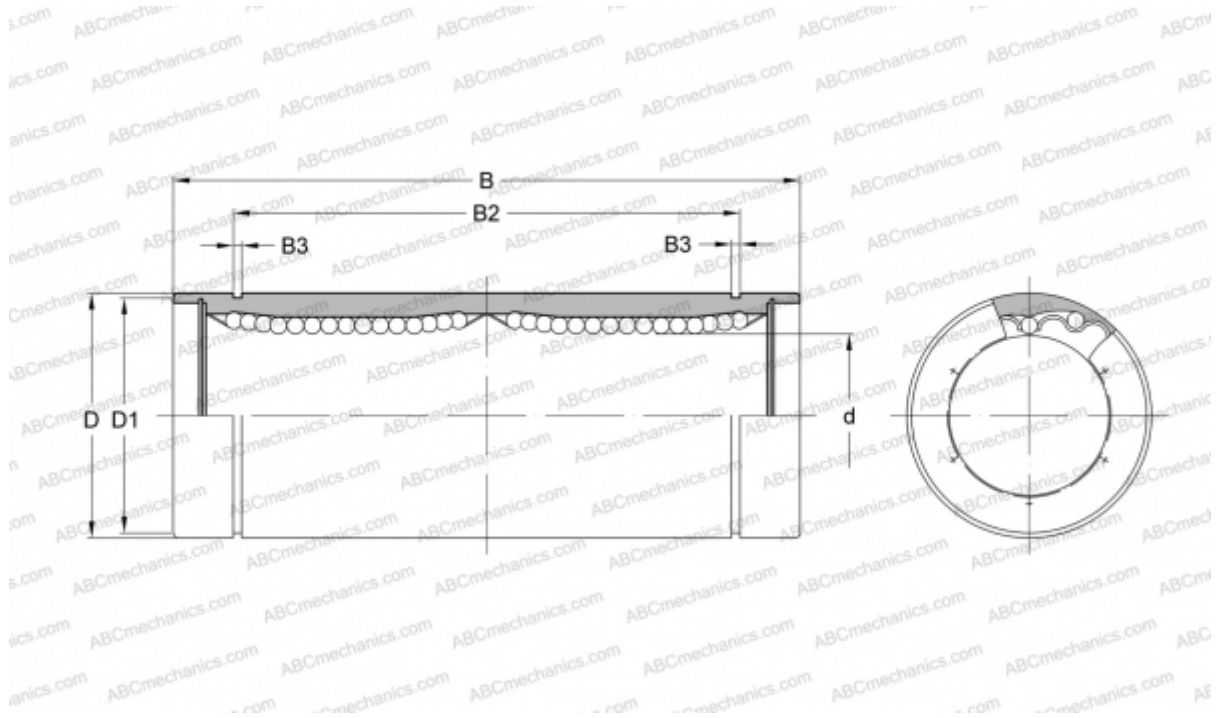


## SW 24W NB

Linear bushing

TYPE: Shaft guidance systems, Linear bushing, Standard, Close type, double length, Type SW..W, American standard, Steel cage (NB)



### Technical specification

#### DIMENSIONS, MM

d	38,100
D	60,325
B	144,463
D1	56,870
B2	122,519
B3	2,184

**WEIGHT, KG** 1,250

**MANUFACTURER** [NB](#)