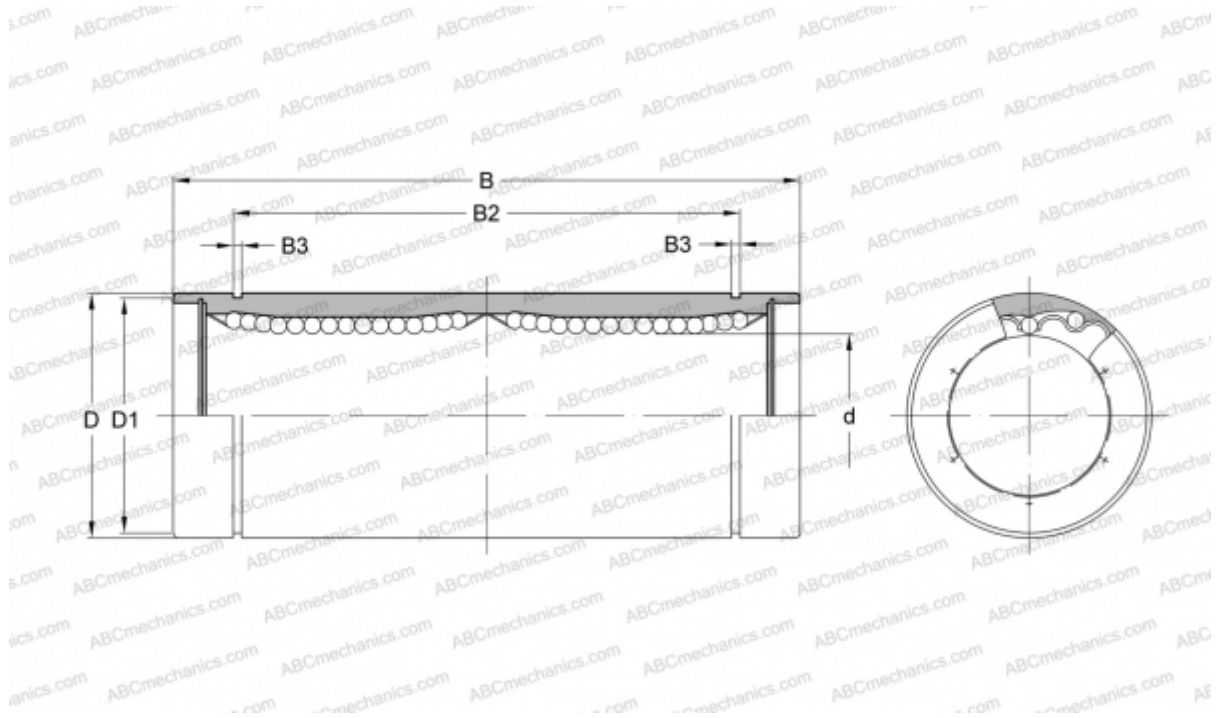


SW 32W NB

Linear bushing

TYPE: Shaft guidance systems, Linear bushing, Standard, Close type, double length, Type SW..W, American standard, Steel cage (NB)



Technical specification

DIMENSIONS, MM

d	50,800
D	76,200
B	196,850
D1	72,085
B2	162,138
B3	2,616

WEIGHT, KG 2,350

MANUFACTURER [NB](#)