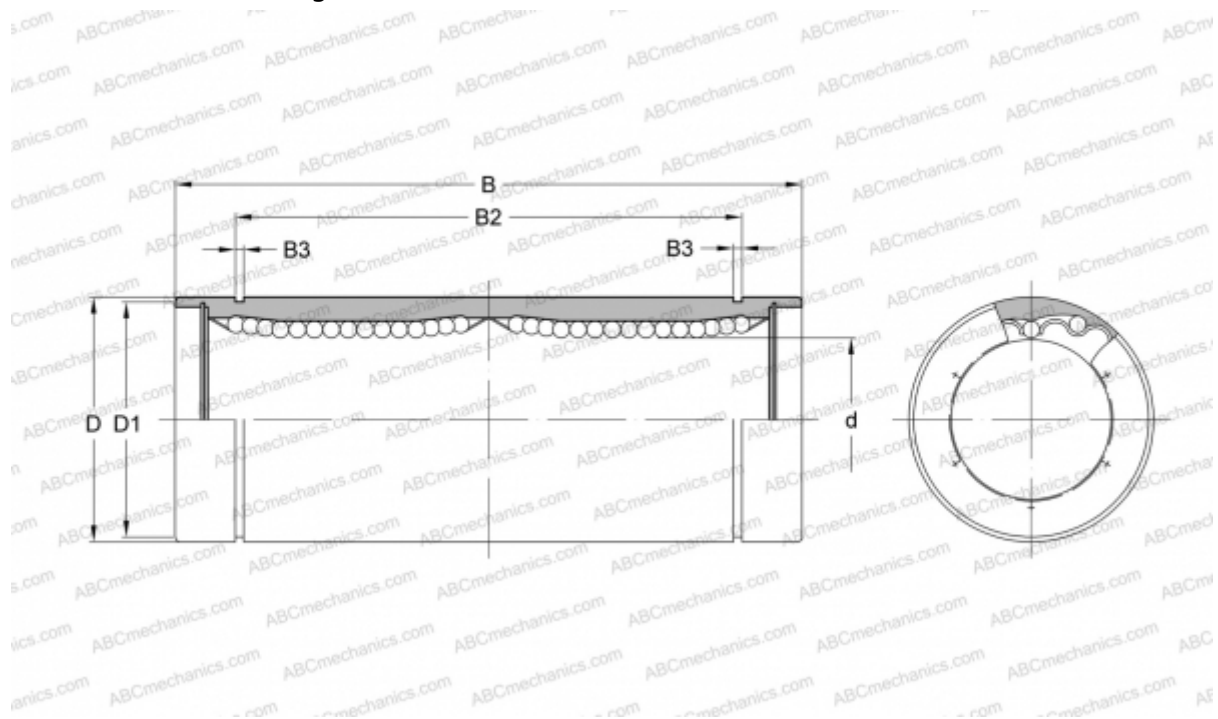


SW 20GW NB

Linear bushing

TYPE: Shaft guidance systems, Linear bushing, Standard, Close type, double length, Type SW..W, American standard, Plastic cage (NB)



Technical specification

DIMENSIONS, MM

d	31,750
D	50,800
B	127,000
D1	47,904
B2	101,839
B3	1,727

WEIGHT, KG 0,820

MANUFACTURER [NB](#)