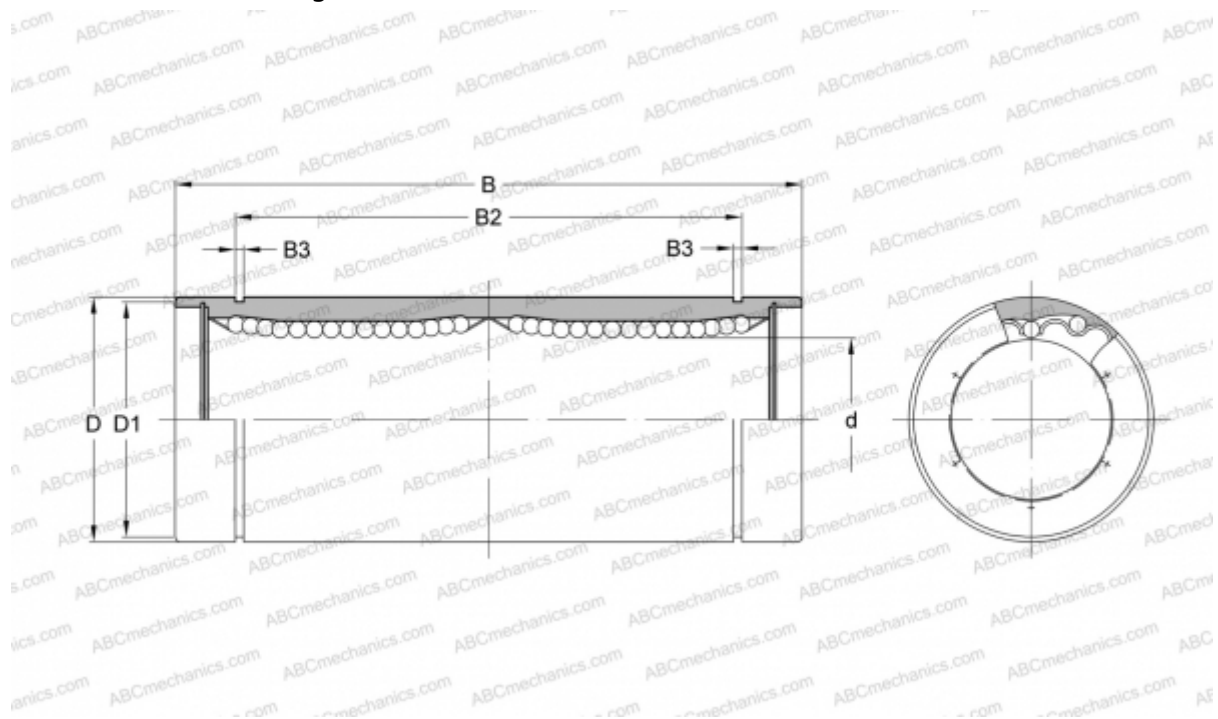


## SW 32GW NB

Linear bushing

TYPE: Shaft guidance systems, Linear bushing, Standard, Close type, double length, Type SW..W, American standard, Plastic cage (NB)



### Technical specification

#### DIMENSIONS, MM

d	50,800
D	76,200
B	196,850
D1	72,085
B2	162,138
B3	2,616

**WEIGHT, KG** 2,350

**MANUFACTURER** [NB](#)