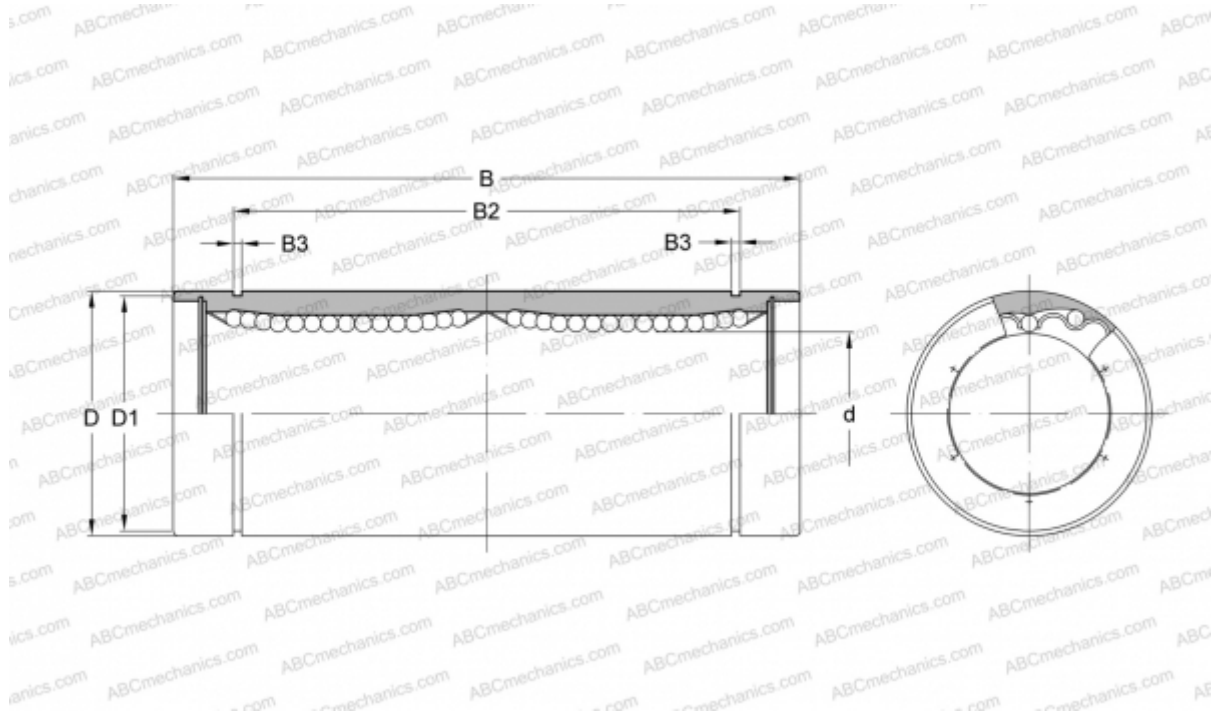


SWS 24W NB

Linear bushing

TYPE: Shaft guidance systems, Linear bushing, Standard, Close type, double length, Type SW..W, American standard, Corrosion resistance, Stainless steel cage (NB)



Technical specification

DIMENSIONS, MM

d	38,100
D	60,325
B	144,463
D1	56,870
B2	122,519
B3	2,184

WEIGHT, KG 1,250

MANUFACTURER [NB](#)