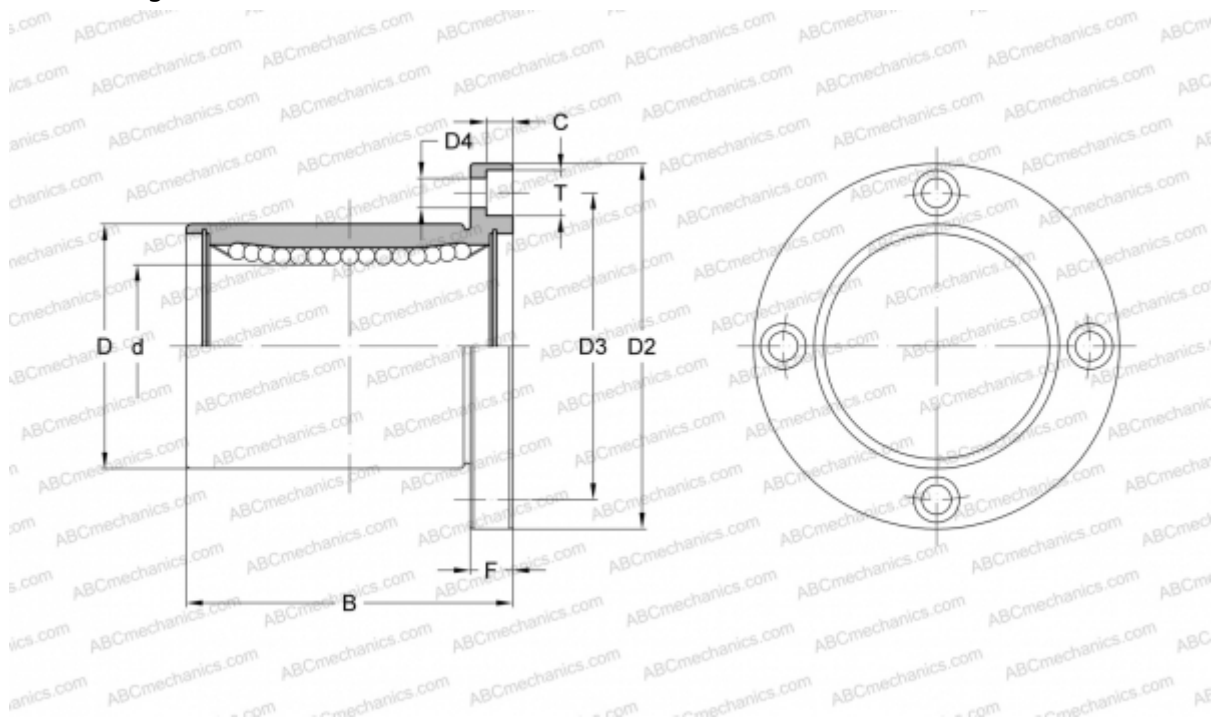


SWF 64 NB

Linear bushing

TYPE: Shaft guidance systems, Linear bushing, With flange, Circular type, Type SWF, American standard, Steel cage (NB)



Technical specification

DIMENSIONS, MM

d	101,600
D	152,400
B	203,200
D2	203,200
D3	177,800
D4	12,700
T	18,097
C	12,700
F	22.225

WEIGHT, KG 12,000

MANUFACTURER [NB](#)