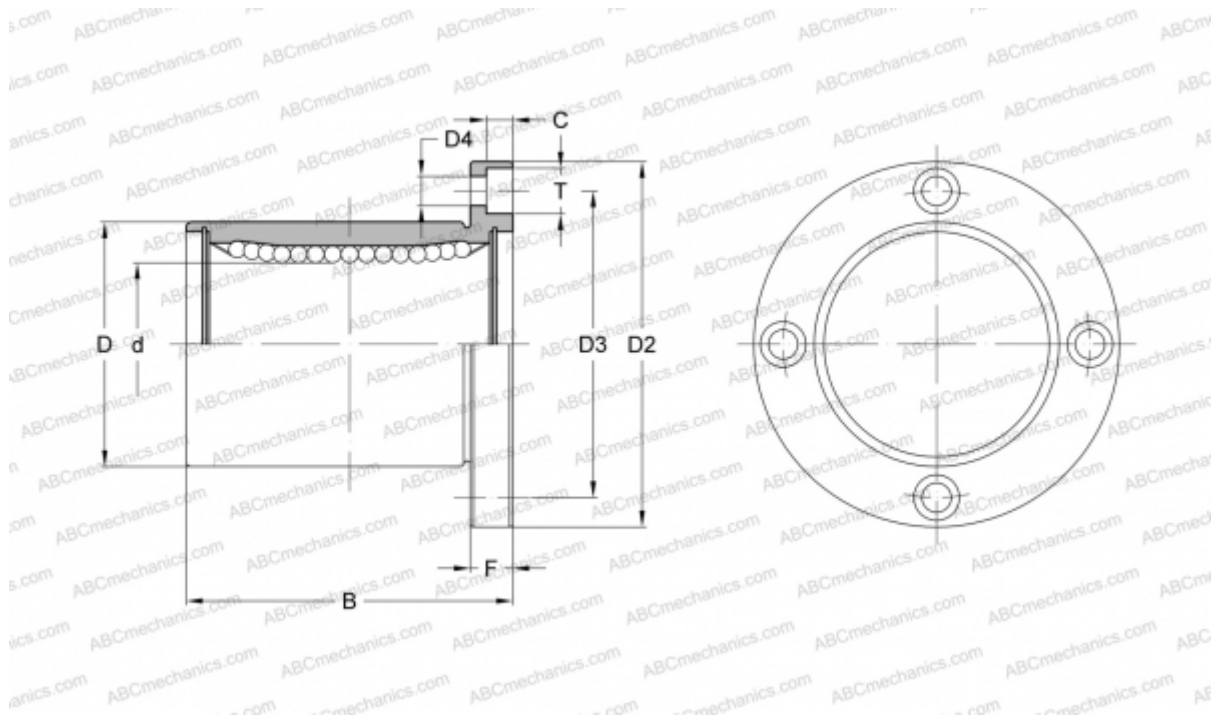


SWF 4G NB

Linear bushing

TYPE: Shaft guidance systems, Linear bushing, With flange, Circular type, Type SWF, American standard, Plastic cage (NB)



Technical specification

DIMENSIONS, MM

d	6,350
D	12,700
B	19,050
D2	31,750
D3	22,225
D4	3,969
T	6,350
C	3,572
F	5.556

WEIGHT, KG 0,032

MANUFACTURER [NB](#)