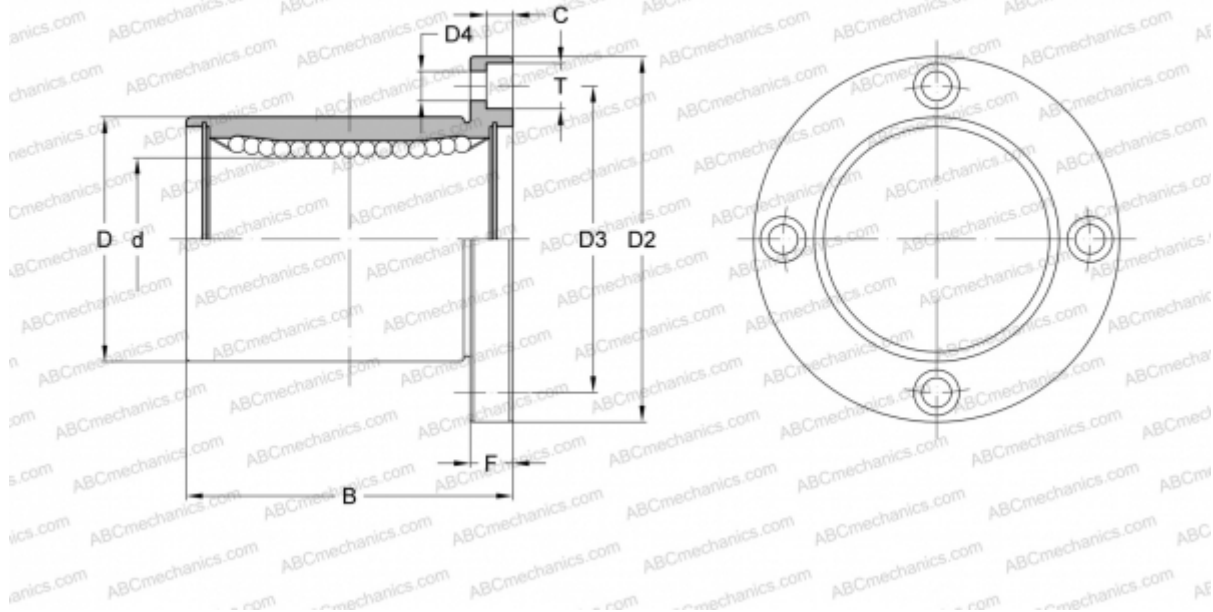


SWSF 16 NB

Linear bushing

TYPE: Shaft guidance systems, Linear bushing, With flange, Circular type, Type SWF, American standard, Corrosion resistance, Stainless steel cage (NB)



Technical specification

DIMENSIONS, MM

| | |
|----|--------|
| d | 25,400 |
| D | 39,688 |
| B | 57,150 |
| D2 | 63,500 |
| D3 | 51,594 |
| D4 | 5,556 |
| T | 8,731 |
| C | 5,159 |
| F | 7.938 |

WEIGHT, KG 0,325

MANUFACTURER [NB](#)