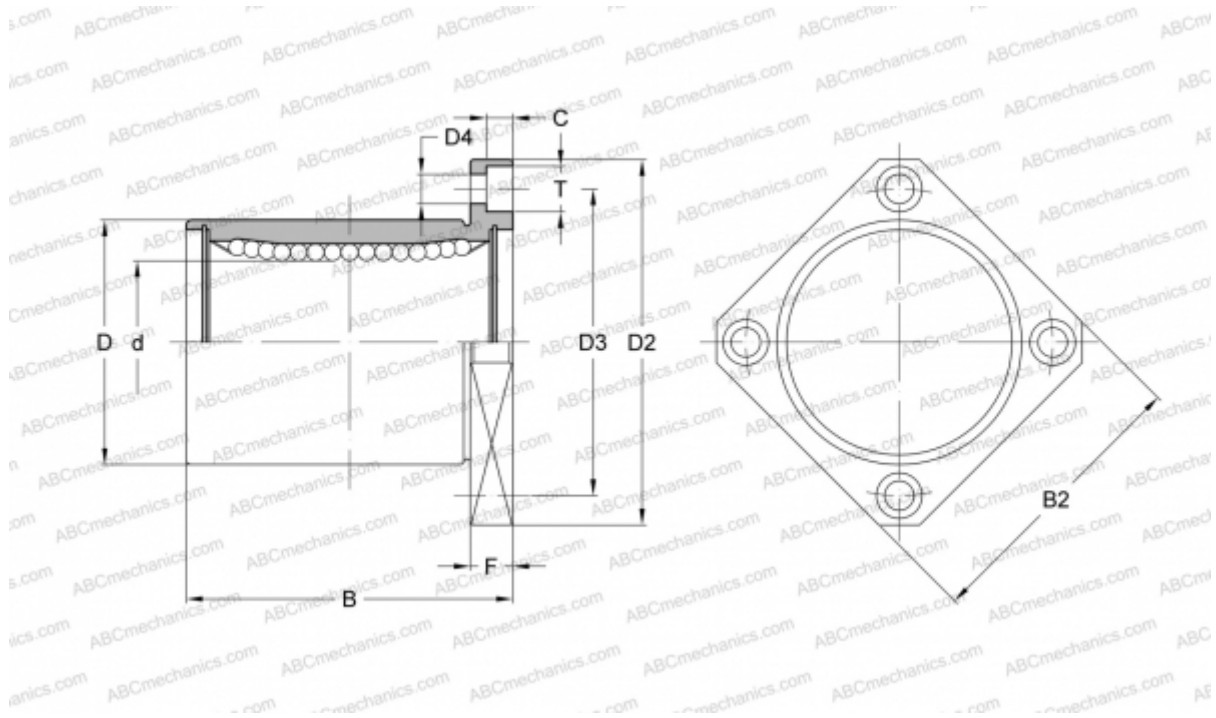


SWK 48 NB

Linear bushing

TYPE: Shaft guidance systems, Linear bushing, With flange, Square type, Type SWK, American standard, Steel cage (NB)



Technical specification

DIMENSIONS, MM

d	76,200
D	114,300
B	152,400
D2	155,575
D3	134,937
D4	10,319
B2	127,000
T	15,875
C	9,525
F	19.05

WEIGHT, KG 5,000

MANUFACTURER [NB](#)