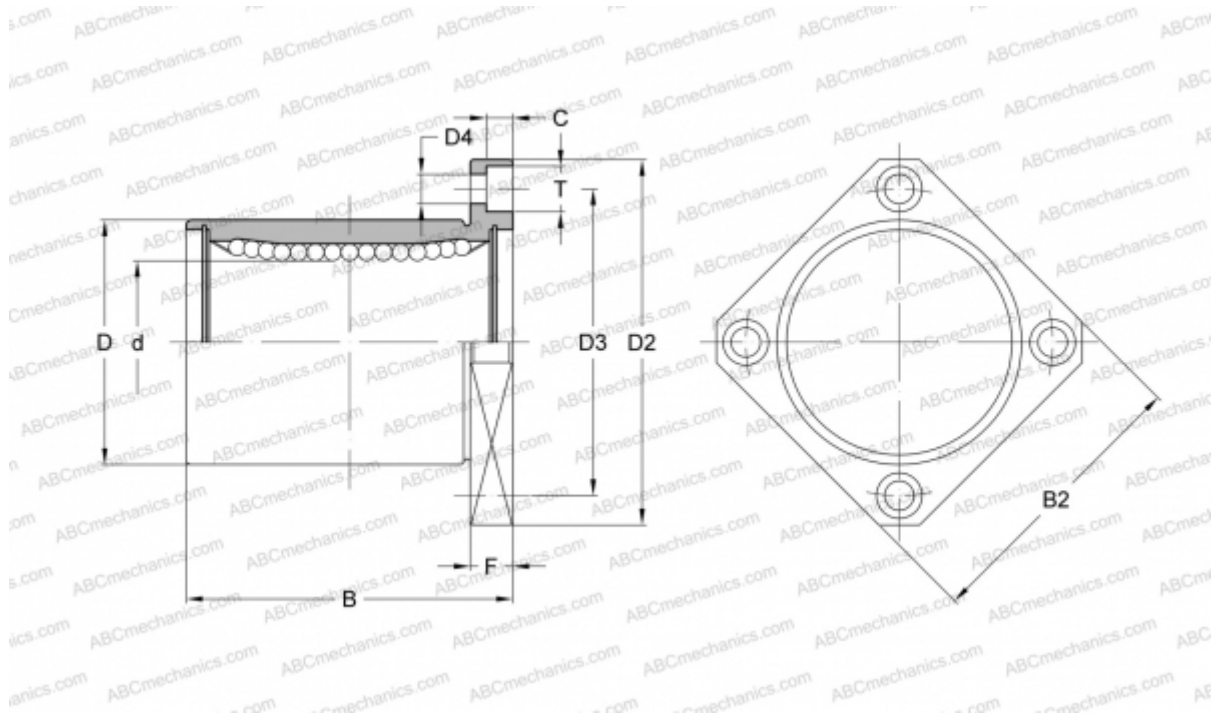


## SWK 8G NB

Linear bushing

TYPE: Shaft guidance systems, Linear bushing, With flange, Square type, Type SWK, American standard, Plastic cage (NB)



### Technical specification

#### DIMENSIONS, MM

d	12,700
D	22,225
B	31,750
D2	44,450
D3	33,338
D4	4,763
B2	34,925
T	7,541
C	4,366
F	6.35

**WEIGHT, KG** 0,068

**MANUFACTURER** [NB](#)