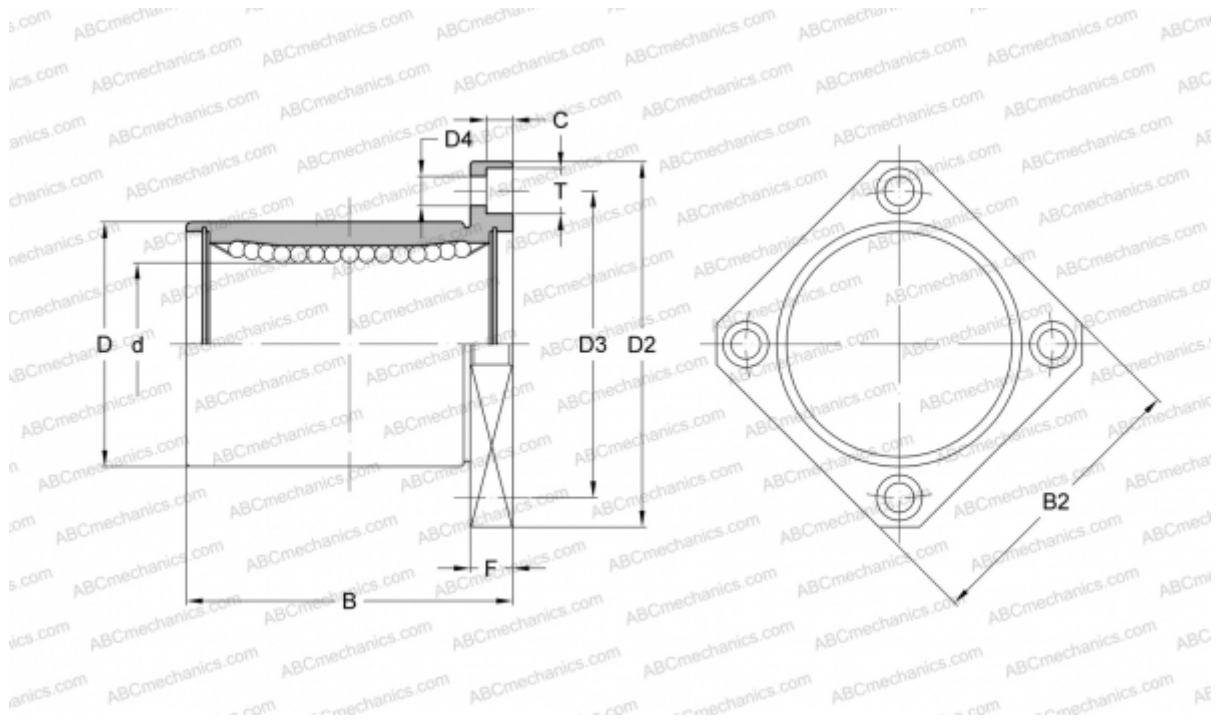


## SWK 10G NB

Linear bushing

TYPE: Shaft guidance systems, Linear bushing, With flange, Square type, Type SWK, American standard, Plastic cage (NB)



### Technical specification

#### DIMENSIONS, MM

|    |        |
|----|--------|
| d  | 15,875 |
| D  | 28,575 |
| B  | 38,100 |
| D2 | 50,800 |
| D3 | 39,688 |
| D4 | 4,763  |
| B2 | 38,100 |
| T  | 7,541  |
| C  | 4,366  |
| F  | 6.35   |

**WEIGHT, KG** 0,124

**MANUFACTURER** [NB](#)