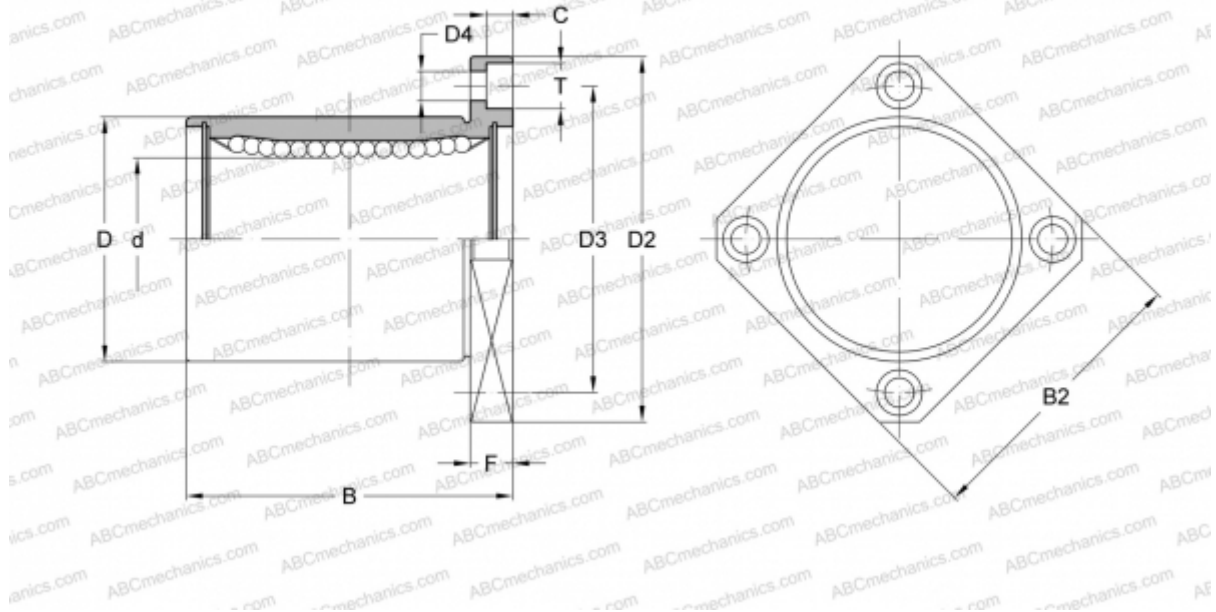


## SWSK 16 NB

Linear bushing

TYPE: Shaft guidance systems, Linear bushing, With flange, Square type, Type SWK, American standard, Corrosion resistance, Stainless steel cage (NB)



### Technical specification

#### DIMENSIONS, MM

d	25,400
D	39,688
B	57,150
D2	63,500
D3	51,594
D4	5,556
B2	50,800
T	8,731
C	5,159
F	7.938

**WEIGHT, KG** 0,280

**MANUFACTURER** [NB](#)