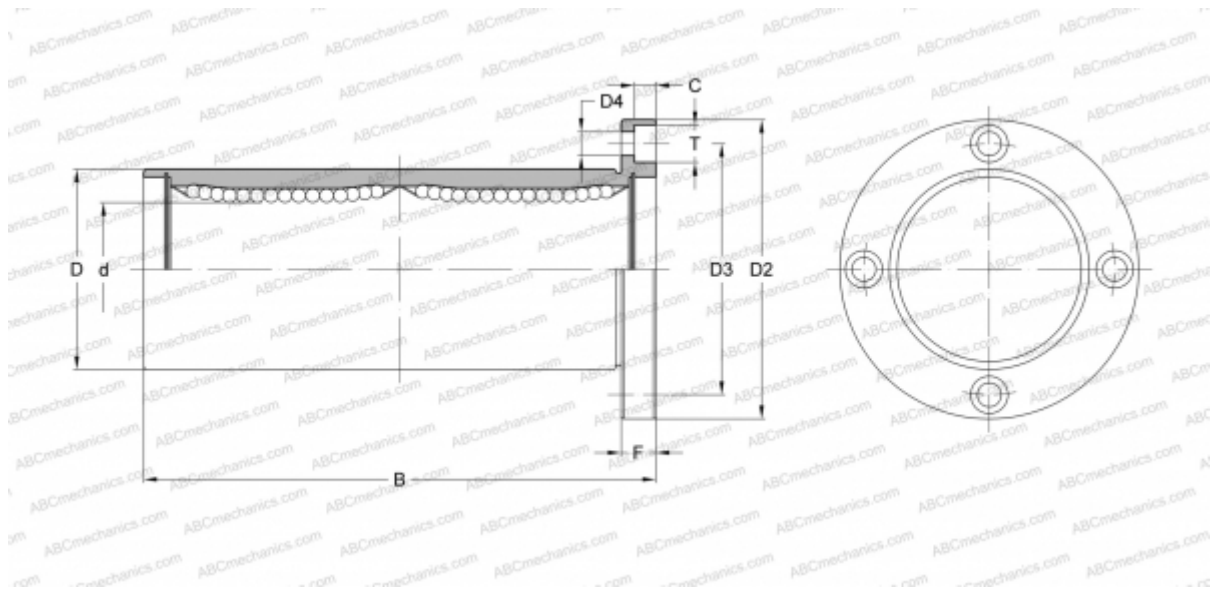


## SWF 16W NB

Linear bushing

TYPE: Shaft guidance systems, Linear bushing, With flange, Circular type, double length, Type SWF..W, American standard, Steel cage (NB)



### Technical specification

#### DIMENSIONS, MM

d	25,400
D	39,688
B	108,744
D2	63,500
D3	51,594
D4	5,556
T	8,731
C	5,159
F	7.938

**WEIGHT, KG** 0,515

**MANUFACTURER** [NB](#)