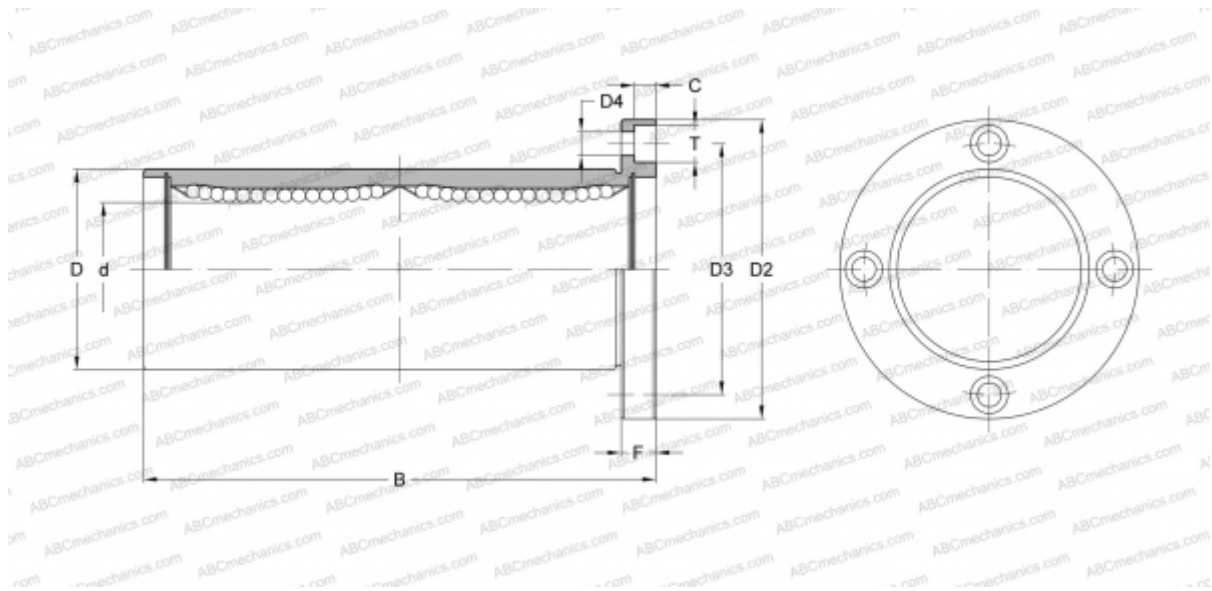


SWF 24W NB

Linear bushing

TYPE: Shaft guidance systems, Linear bushing, With flange, Circular type, double length, Type SWF..W, American standard, Steel cage (NB)



Technical specification

DIMENSIONS, MM

| | |
|----|---------|
| d | 38,100 |
| D | 60,325 |
| B | 144,463 |
| D2 | 95,250 |
| D3 | 77,788 |
| D4 | 8,731 |
| T | 12,700 |
| C | 8,334 |
| F | 12.7 |

WEIGHT, KG 1,630

MANUFACTURER [NB](#)