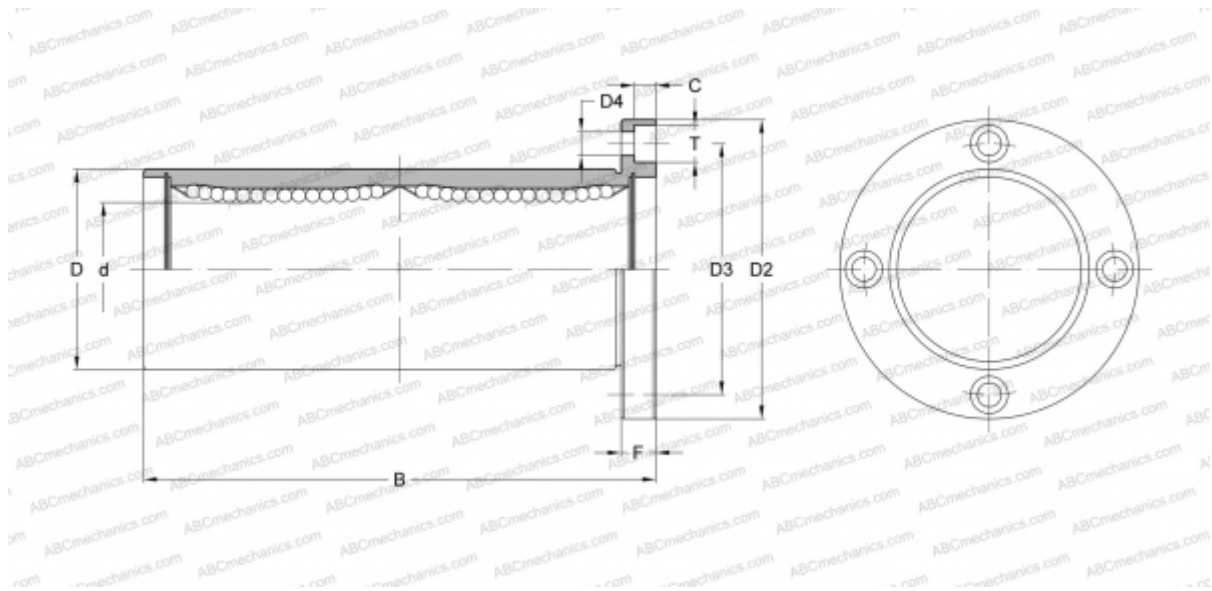


SWF 20GW NB

Linear bushing

TYPE: Shaft guidance systems, Linear bushing, With flange, Circular type, double length, Type SWF..W, American standard, Plastic cage (NB)



Technical specification

DIMENSIONS, MM

d	31,750
D	50,800
B	127,000
D2	79,375
D3	65,088
D4	7,144
T	10,319
C	6,747
F	9.525

WEIGHT, KG 1,020

MANUFACTURER [NB](#)