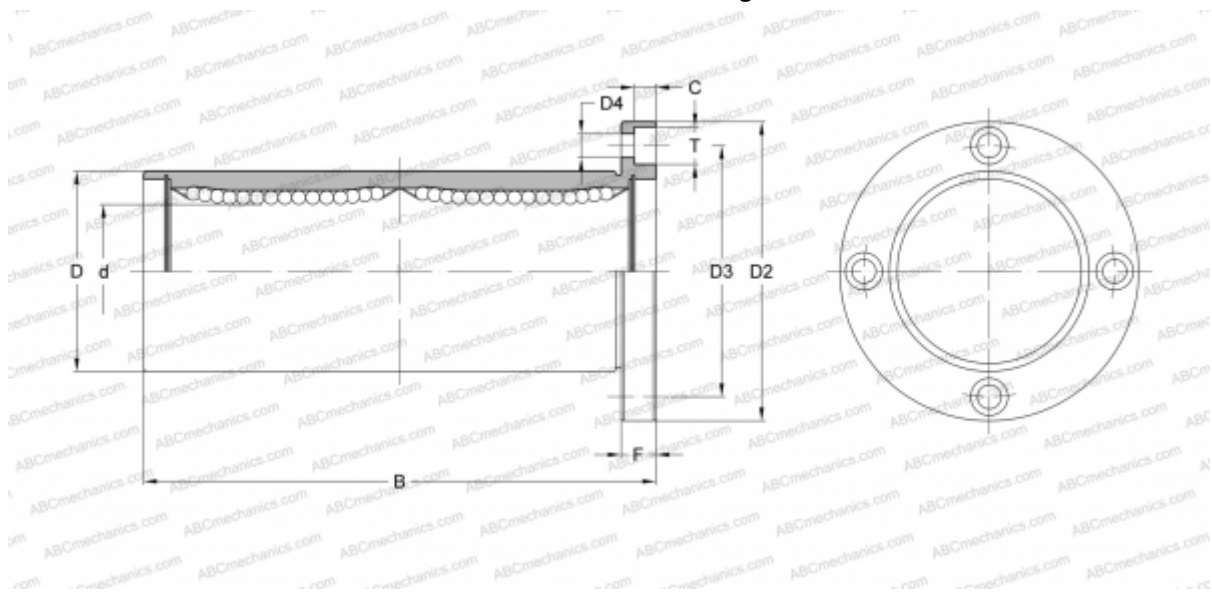


SWSF 20GW NB

Linear bushing

TYPE: Shaft guidance systems, Linear bushing, With flange, Circular type, double length, Type SWF..W, American standard, Corrosion resistance, Plastic cage (NB)



Technical specification

DIMENSIONS, MM

| | |
|----|---------|
| d | 31,750 |
| D | 50,800 |
| B | 127,000 |
| D2 | 79,375 |
| D3 | 65,088 |
| D4 | 7,144 |
| T | 10,319 |
| C | 6,747 |
| F | 9.525 |

WEIGHT, KG 1,020

MANUFACTURER [NB](#)