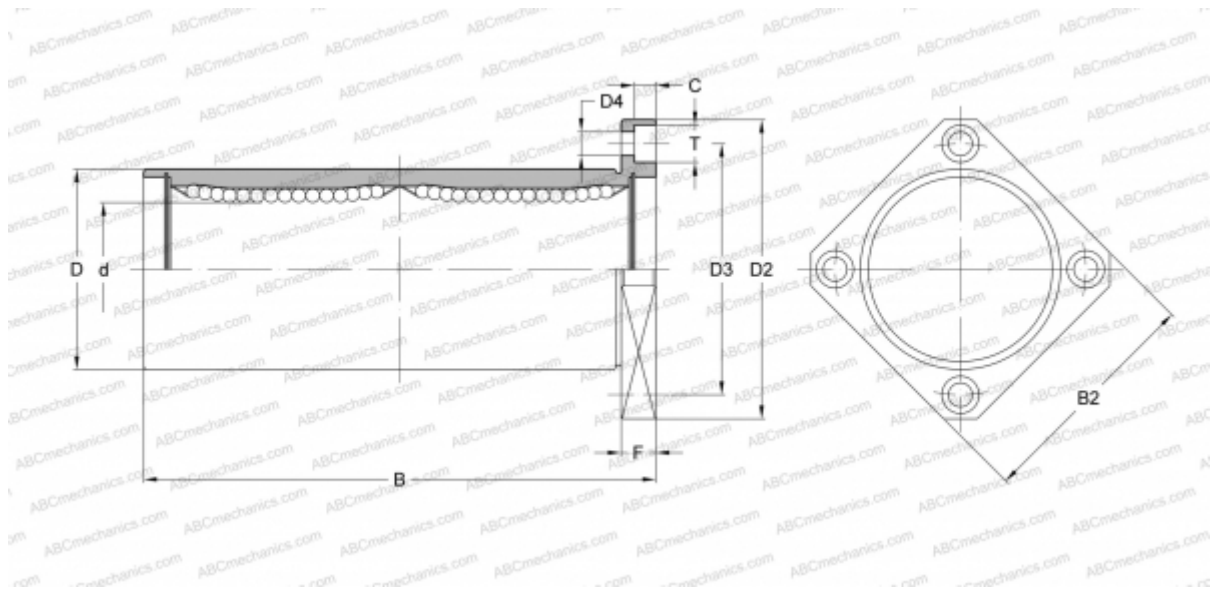


## SWK 20GW NB

Linear bushing

TYPE: Shaft guidance systems, Linear bushing, With flange, Square type, double length, Type SWK..W, American standard, Plastic cage (NB)



### Technical specification

#### DIMENSIONS, MM

d	31,750
D	50,800
B	127,000
D2	79,375
D3	65,088
D4	7,144
B2	63,500
T	10,319
C	6,747
F	9.525

**WEIGHT, KG** 0,935

**MANUFACTURER** [NB](#)