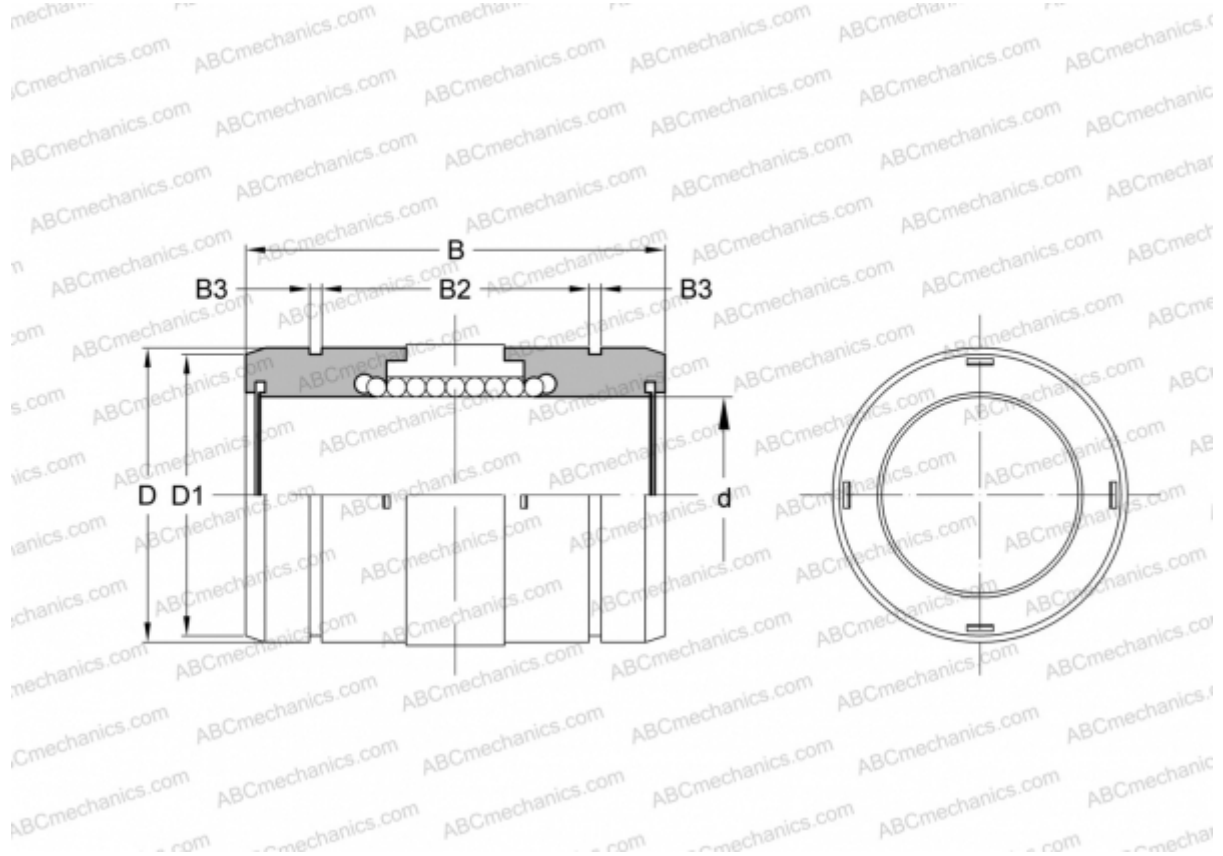


## GM 10 NB

Linear bushing

TYPE: Shaft guidance systems, Linear bushing, Standard, Close type, Type GM (NB)



### Technical specification

#### DIMENSIONS, MM

d	10,000
D	19,000
B	29,000
D1	18,000
B2	19,400
B3	1,300

**WEIGHT, KG** 0,018

**MANUFACTURER** [NB](#)