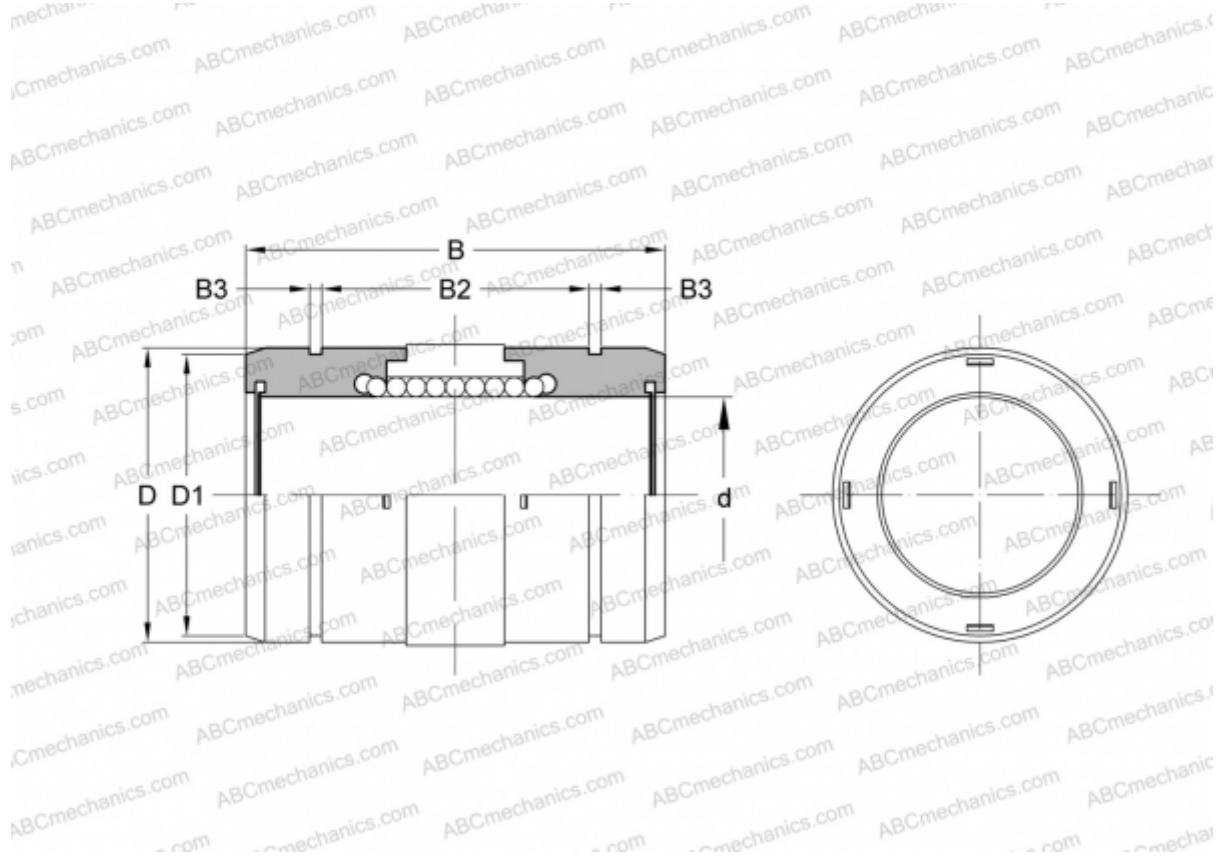


GM 13 NB

Linear bushing

TYPE: Shaft guidance systems, Linear bushing, Standard, Close type, Type GM (NB)



Technical specification

DIMENSIONS, MM

d	13,000
D	23,000
B	32,000
D1	22,000
B2	20,400
B3	1,300

WEIGHT, KG 0,027

MANUFACTURER [NB](#)