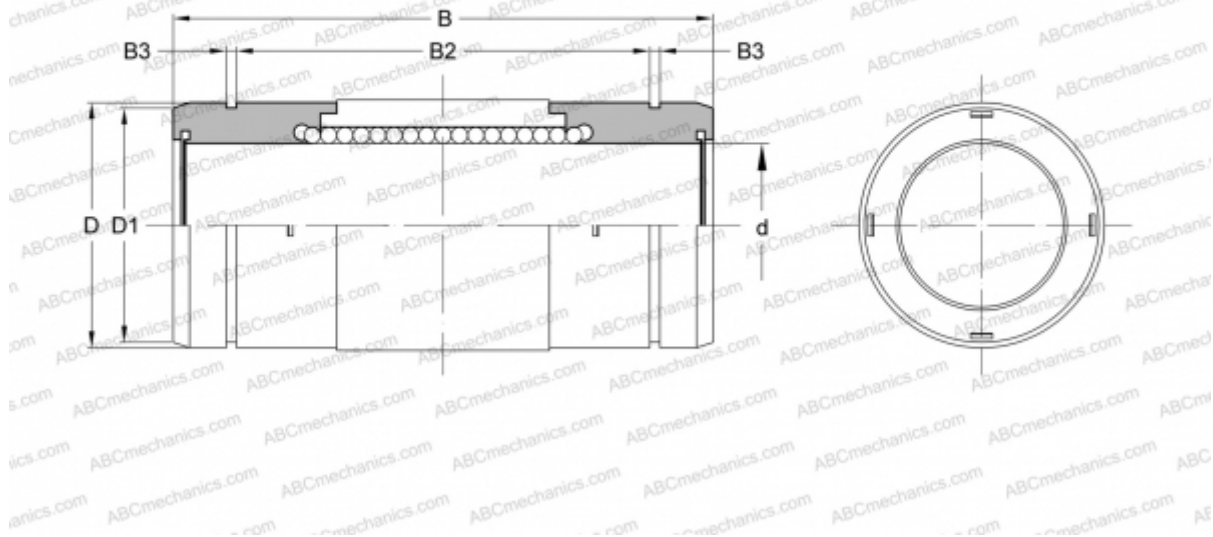


GM 10W UU NB

Linear bushing

TYPE: Shaft guidance systems, Linear bushing, Standard, Close type, double length, Type GM..W (NB)



Technical specification

DIMENSIONS, MM

d	10,000
D	19,000
B	41,000
D1	18,000
B2	31,400
B3	1,300

WEIGHT, KG 0,031

MANUFACTURER [NB](#)