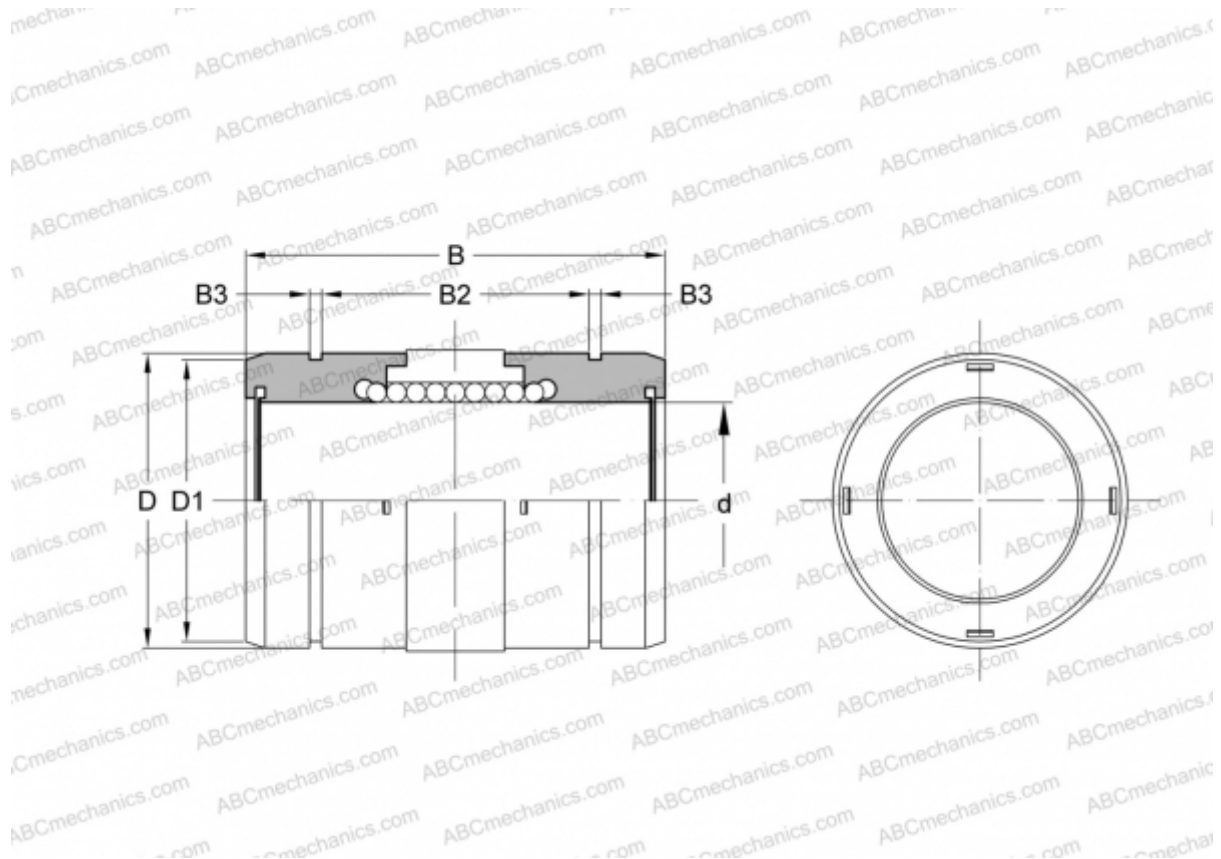


GW 4 NB

Linear bushing

TYPE: Shaft guidance systems, Linear bushing, Standard, Close type, Type GW, American standard (NB)



Technical specification

DIMENSIONS, MM

d	6,350
D	12,700
B	19,050
D1	11,906
B2	10,996
B3	0,992

WEIGHT, KG 42,465

MANUFACTURER [NB](#)