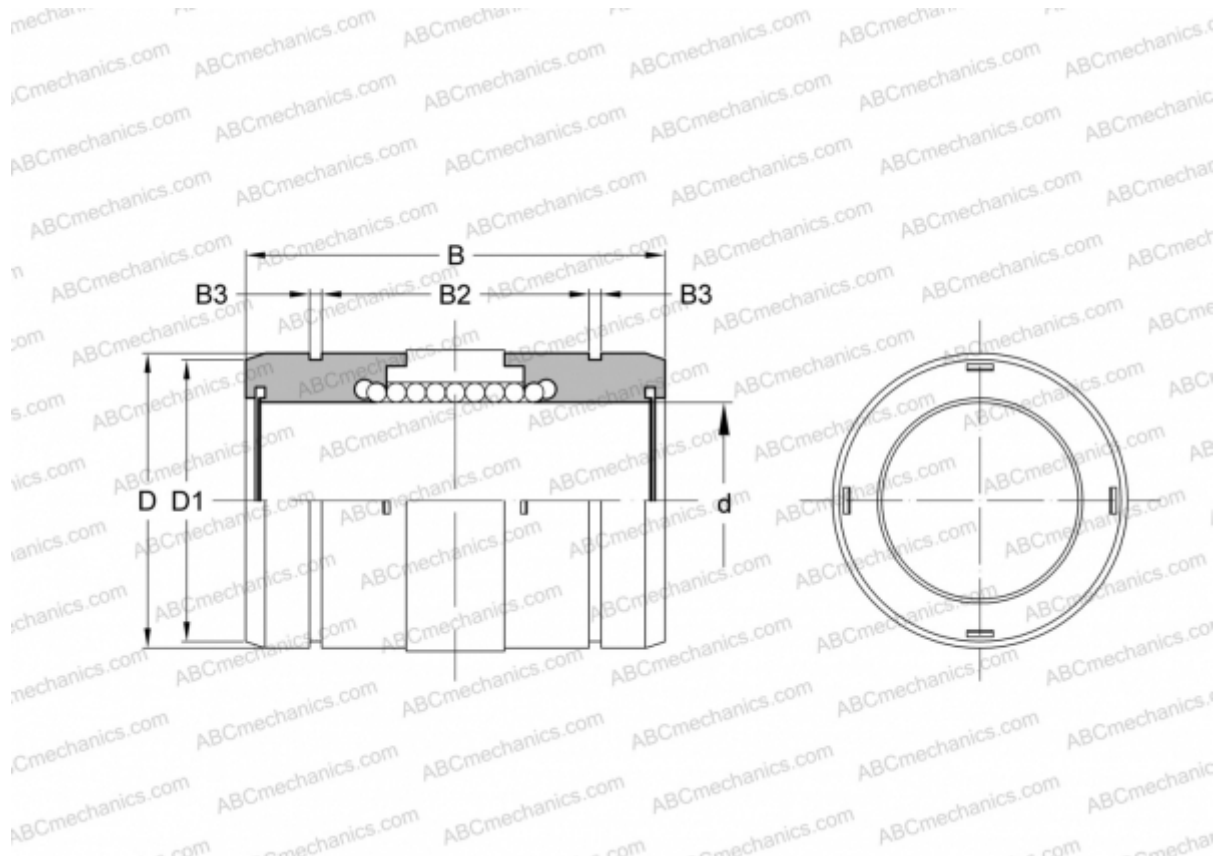


## GW 10 NB

Linear bushing

TYPE: Shaft guidance systems, Linear bushing, Standard, Close type, Type GW, American standard (NB)



### Technical specification

#### DIMENSIONS, MM

d	15,875
D	28,575
B	38,100
D1	26,899
B2	25,197
B3	1,422

**WEIGHT, KG** 0,051

**MANUFACTURER** [NB](#)