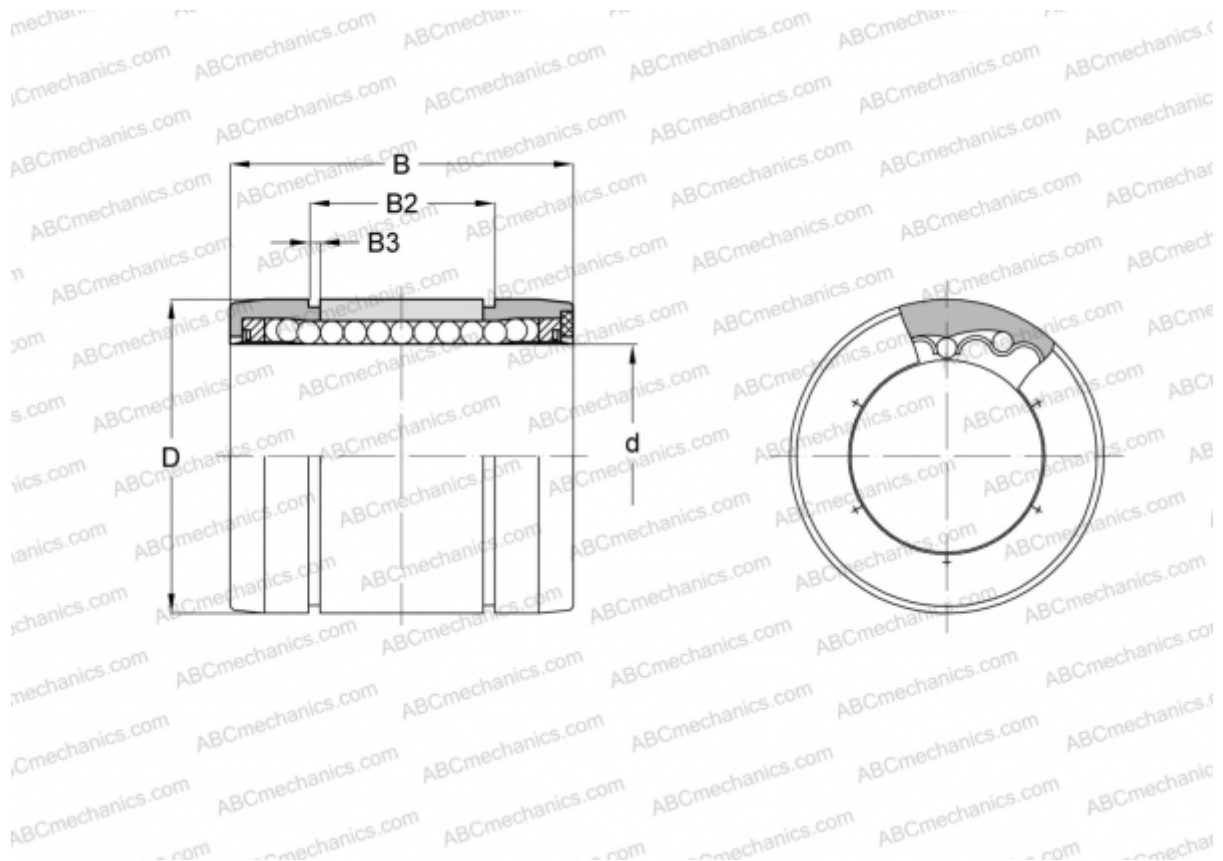


LMES50 UU SAMICK

Linear bushing

TYPE: Shaft guidance systems, Linear bushing, Self aligning, Close type, Type LMES, European standard (SAMICK)



Technical specification

DIMENSIONS, MM

d	50,000
D	75,000
B	100,000
B2	77,400
B3	2,700

WEIGHT, KG 0,580

MANUFACTURER [SAMICK](http://www.samick.com)