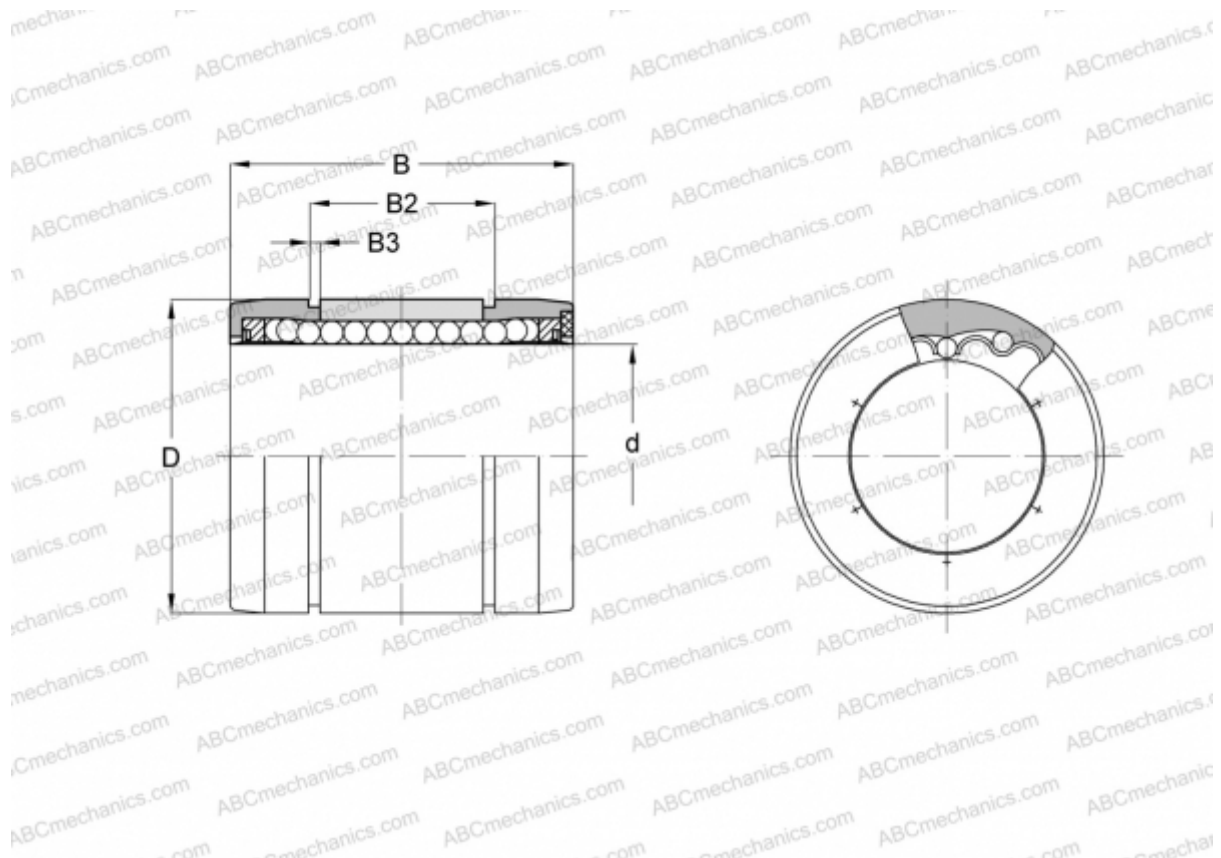


LMBS10 UU SAMICK

Linear bushing

TYPE: Shaft guidance systems, Linear bushing, Self aligning, Close type, Type LMBS, American standard (SAMICK)



Technical specification

DIMENSIONS, MM

d	15,875
D	28,575
B	38,100
B2	28,067
B3	1,422

WEIGHT, KG 0,036

MANUFACTURER [SAMICK](http://www.samick.com)