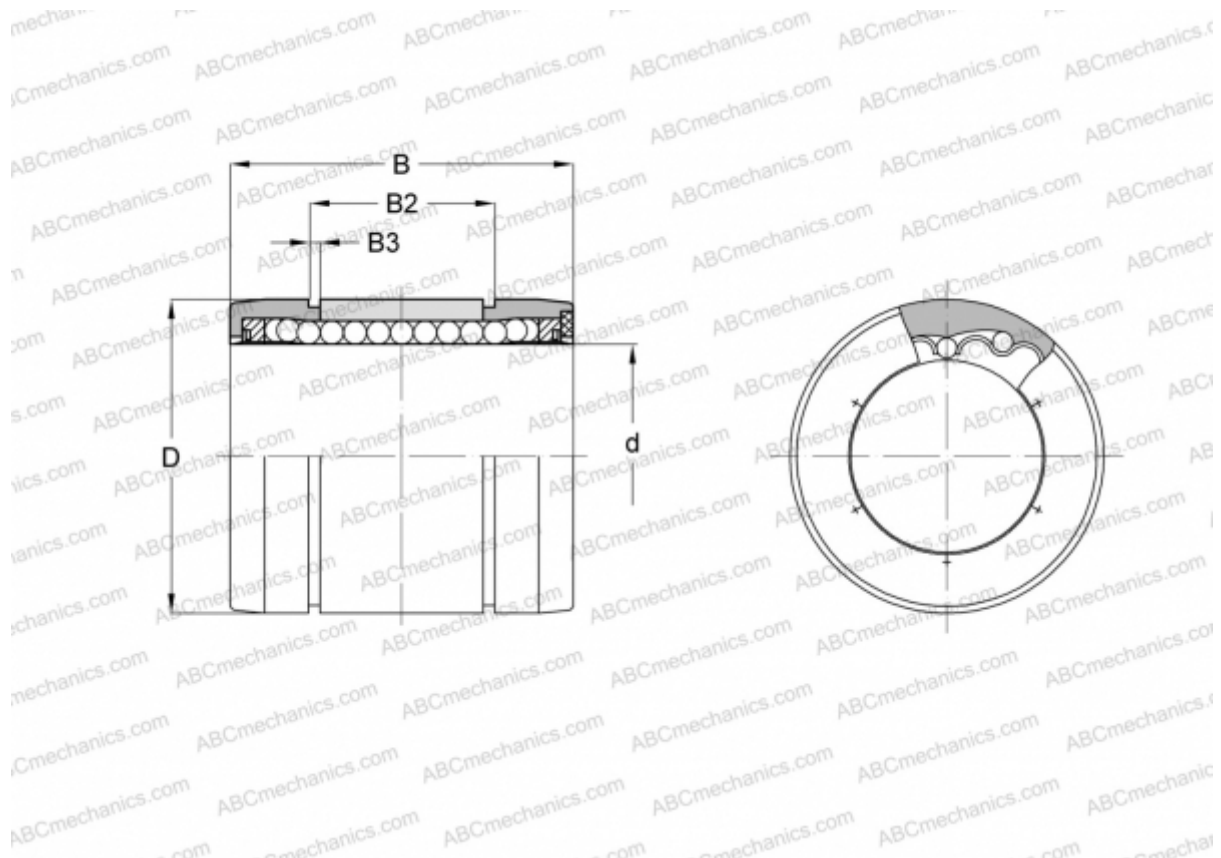


## LMBS12 UU SAMICK

Linear bushing

TYPE: Shaft guidance systems, Linear bushing, Self aligning, Close type, Type LMBS, American standard (SAMICK)



### Technical specification

#### DIMENSIONS, MM

d	19,050
D	31,750
B	41,275
B2	32,258
B3	1,422

**WEIGHT, KG** 0,064

**MANUFACTURER** [SAMICK](http://www.samick.com)