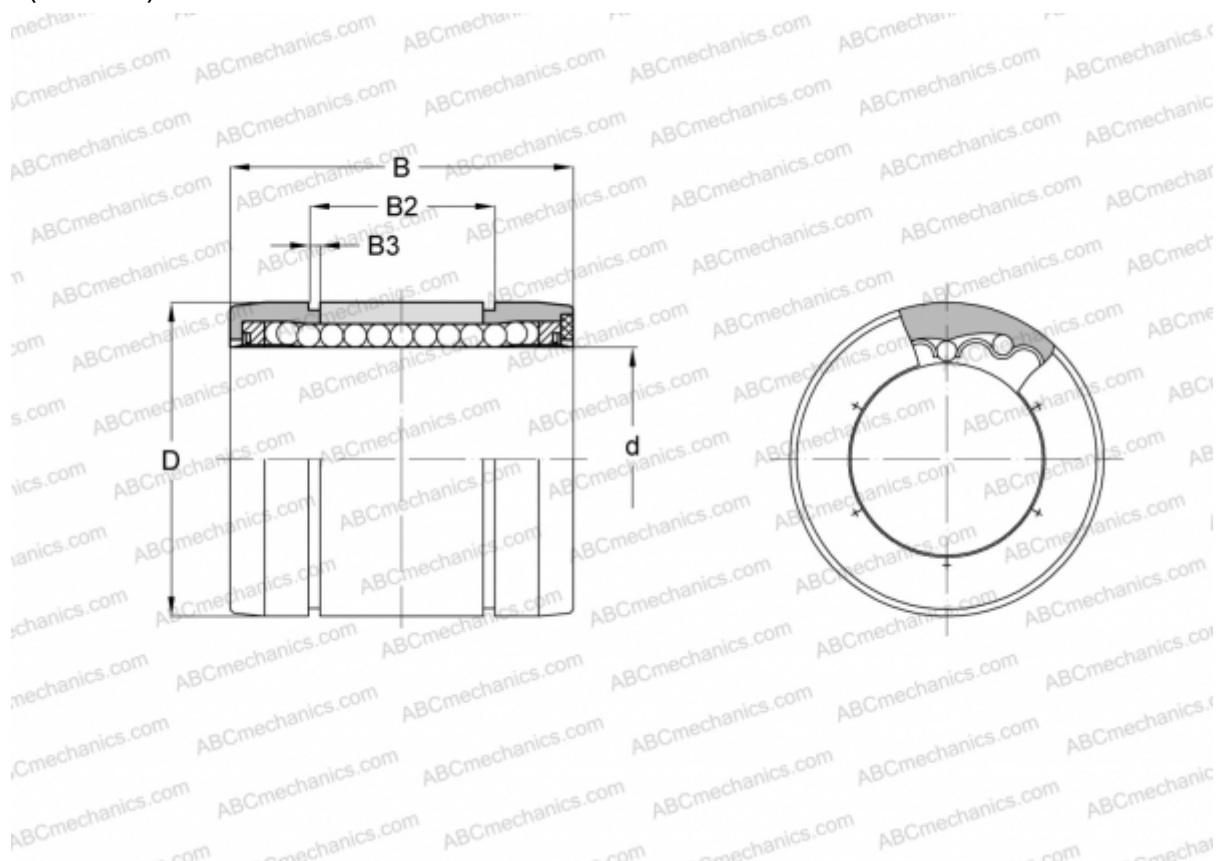


## LMBS24 UU SAMICK

Linear bushing

TYPE: Shaft guidance systems, Linear bushing, Self aligning, Close type, Type LMBS, American standard (SAMICK)



### Technical specification

#### DIMENSIONS, MM

|    |        |
|----|--------|
| d  | 38,100 |
| D  | 60,325 |
| B  | 76,200 |
| B2 | 61,214 |
| B3 | 2,184  |

**WEIGHT, KG** 0,363

**MANUFACTURER** [SAMICK](http://www.samick.com)