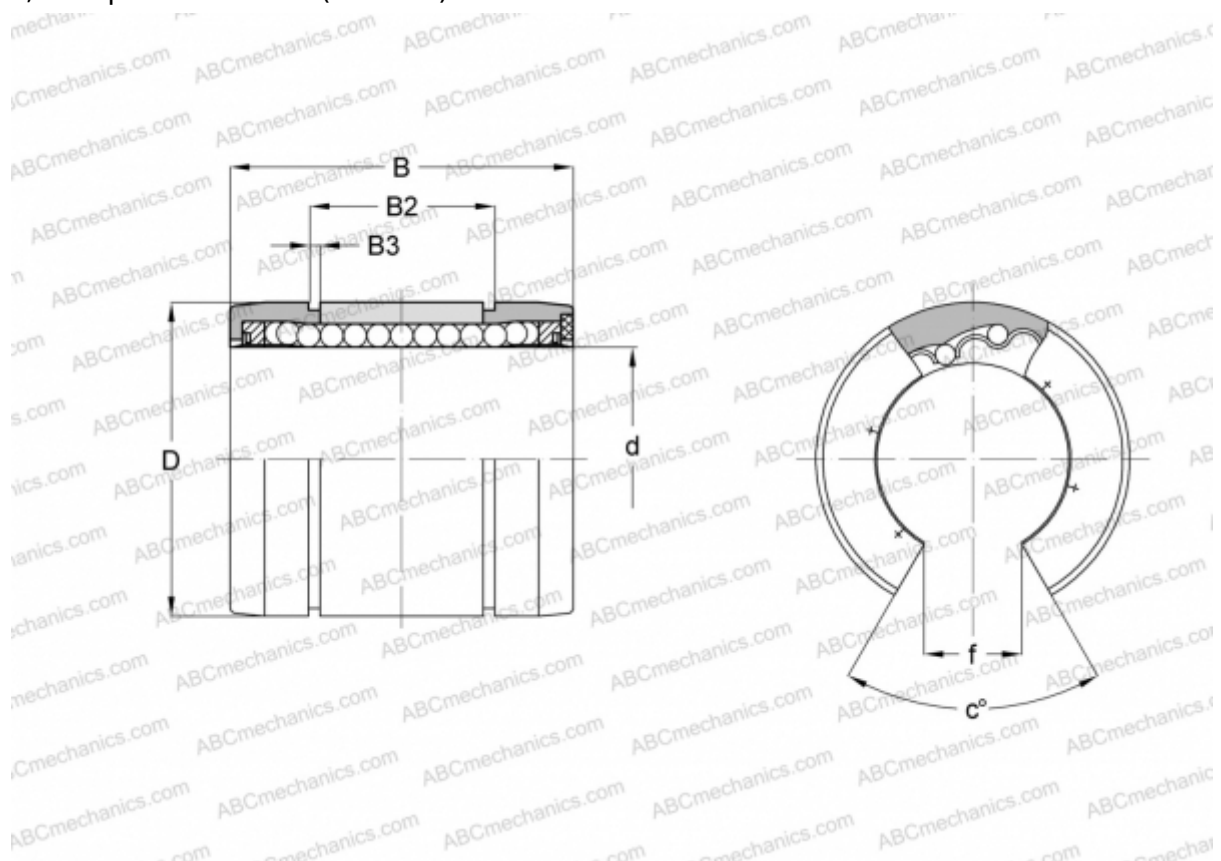


LMES30 UU OP SAMICK

Linear bushing

TYPE: Shaft guidance systems, Linear bushing, Self aligning, Open type for support rail, Type LMES..OP, European standard (SAMICK)



Technical specification

DIMENSIONS, MM

d	30,000
D	47,000
B	68,000
B2	51,800
B3	1,900
f	14,000
c	57

WEIGHT, KG 0,155

MANUFACTURER [SAMICK](http://www.samick.com)