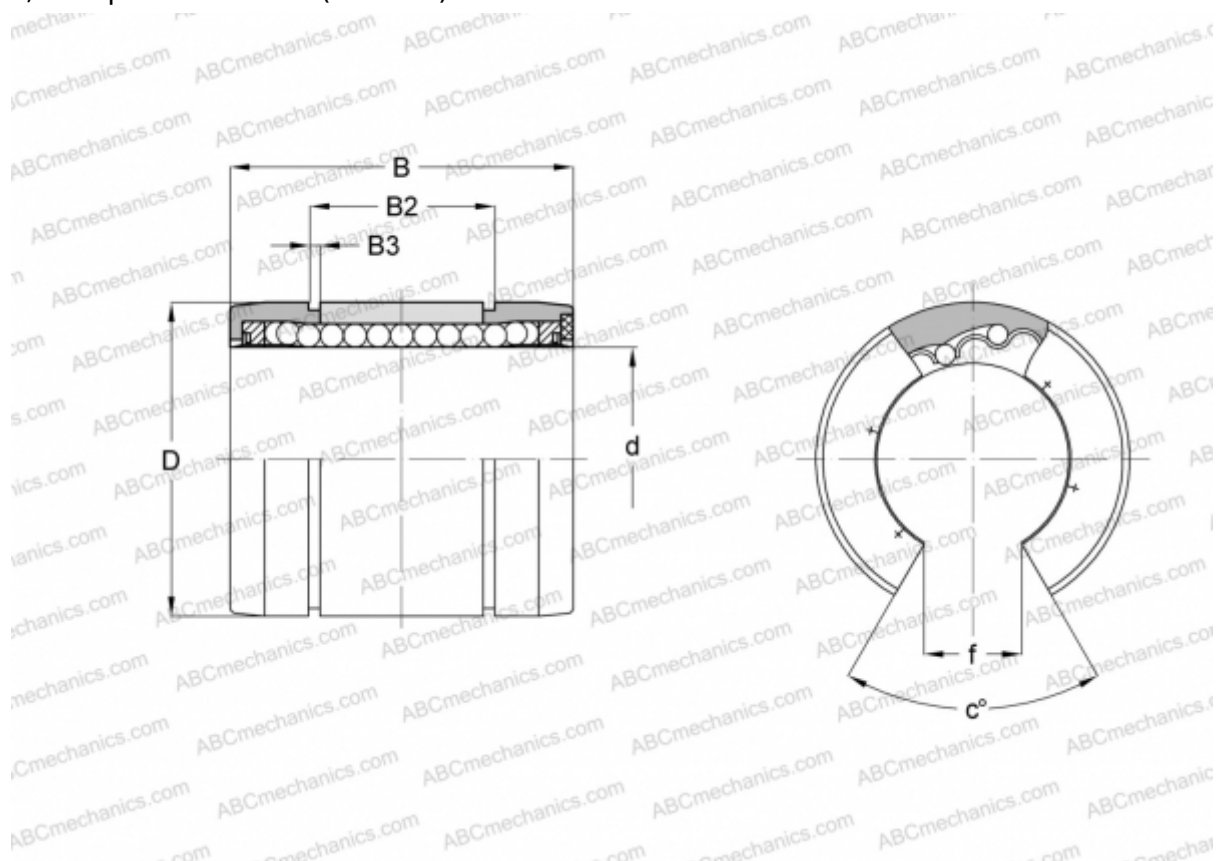


## LMES50 UU OP SAMICK

Linear bushing

TYPE: Shaft guidance systems, Linear bushing, Self aligning, Open type for support rail, Type LMES..OP, European standard (SAMICK)



### Technical specification

#### DIMENSIONS, MM

d	50,000
D	75,000
B	100,000
B2	77,400
B3	2,700
f	22,500
c	54

**WEIGHT, KG** 0,480

**MANUFACTURER** [SAMICK](http://www.samick.com)