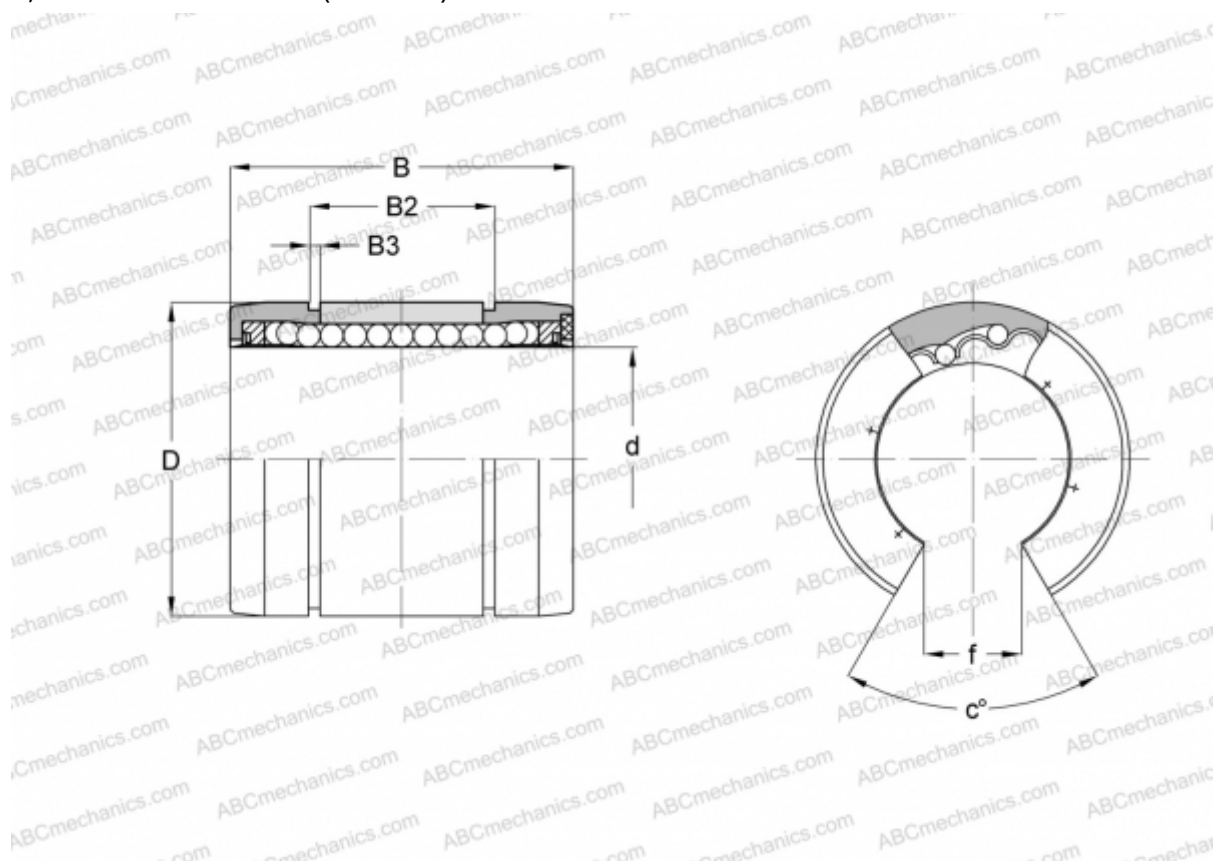


## LMBS8 UU OP SAMICK

Linear bushing

TYPE: Shaft guidance systems, Linear bushing, Self aligning, Open type for support rail, Type LMBS..OP, American standard (SAMICK)



### Technical specification

#### DIMENSIONS, MM

d	12,700
D	22,225
B	31,750
B2	26,213
B3	1,270
f	8,128
c	30

**WEIGHT, KG** 0,014

**MANUFACTURER** [SAMICK](http://www.samick.com)