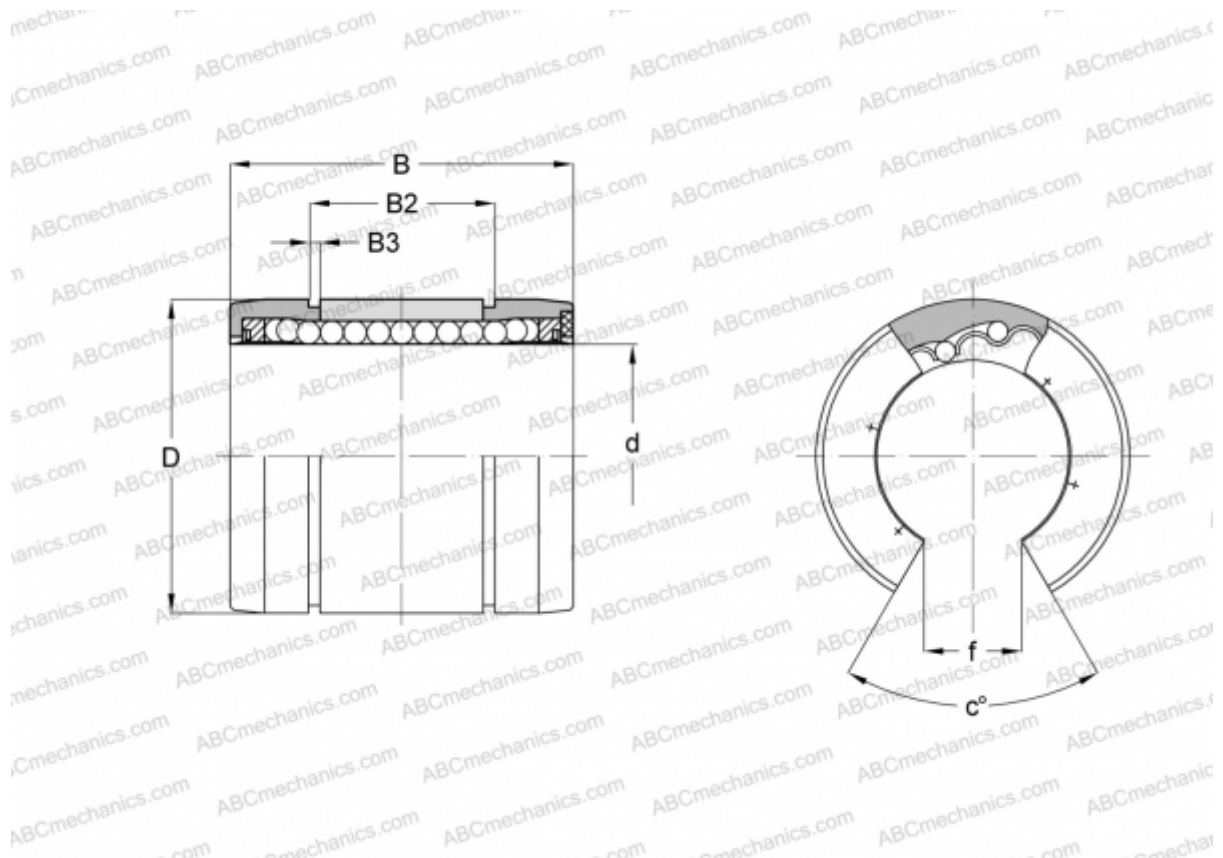


LMBS12 UU OP SAMICK

Linear bushing

TYPE: Shaft guidance systems, Linear bushing, Self aligning, Open type for support rail, Type LMBS..OP, American standard (SAMICK)



Technical specification

DIMENSIONS, MM

d	19,050
D	31,750
B	41,275
B2	32,258
B3	1,422
f	10,922
c	30

WEIGHT, KG 0,050

MANUFACTURER [SAMICK](http://www.samick.com)