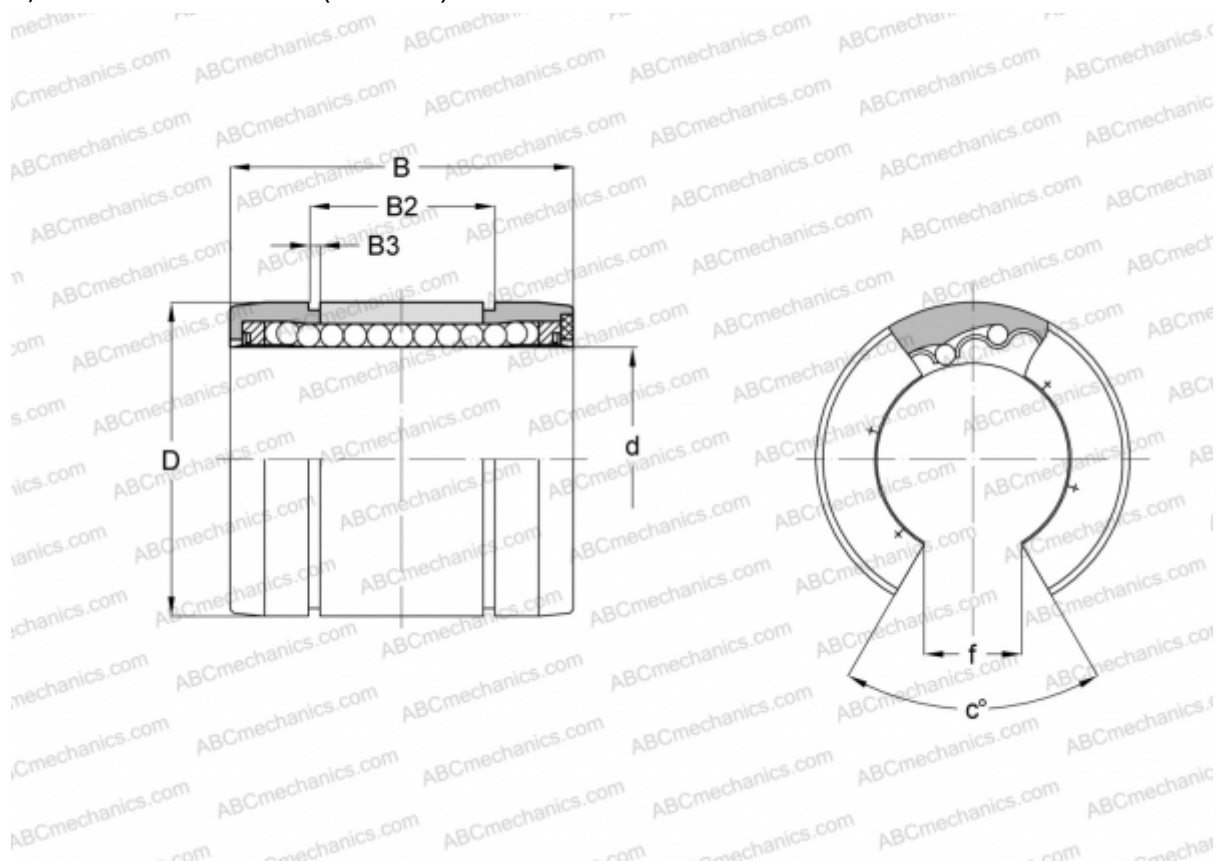


LMBS20 UU OP SAMICK

Linear bushing

TYPE: Shaft guidance systems, Linear bushing, Self aligning, Open type for support rail, Type LMBS..OP, American standard (SAMICK)



Technical specification

DIMENSIONS, MM

| | |
|----|--------|
| d | 31,750 |
| D | 50,800 |
| B | 66,675 |
| B2 | 50,902 |
| B3 | 1,727 |
| f | 16,002 |
| c | 30 |

WEIGHT, KG 0,159

MANUFACTURER [SAMICK](http://www.samick.com)