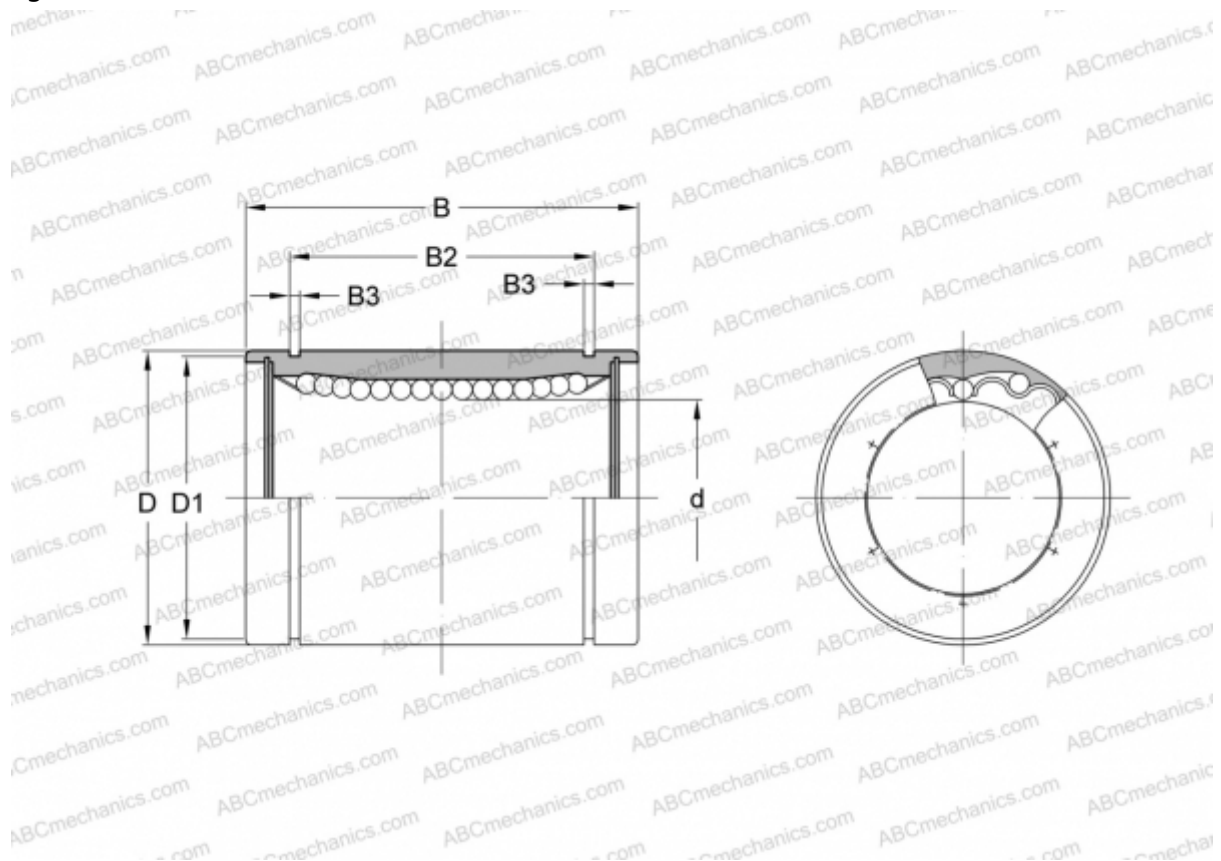


## LME5 UU SAMICK

Linear bushing

TYPE: Shaft guidance systems, Linear bushing, Standard, Close type, Type LME, European standard, Plastic cage (SAMICK)



### Technical specification

#### DIMENSIONS, MM

d	5,000
D	12,000
B	22,000
D1	11,500
B2	14,500
B3	1,100

**WEIGHT, KG** 0,012

**MANUFACTURER** [SAMICK](#)