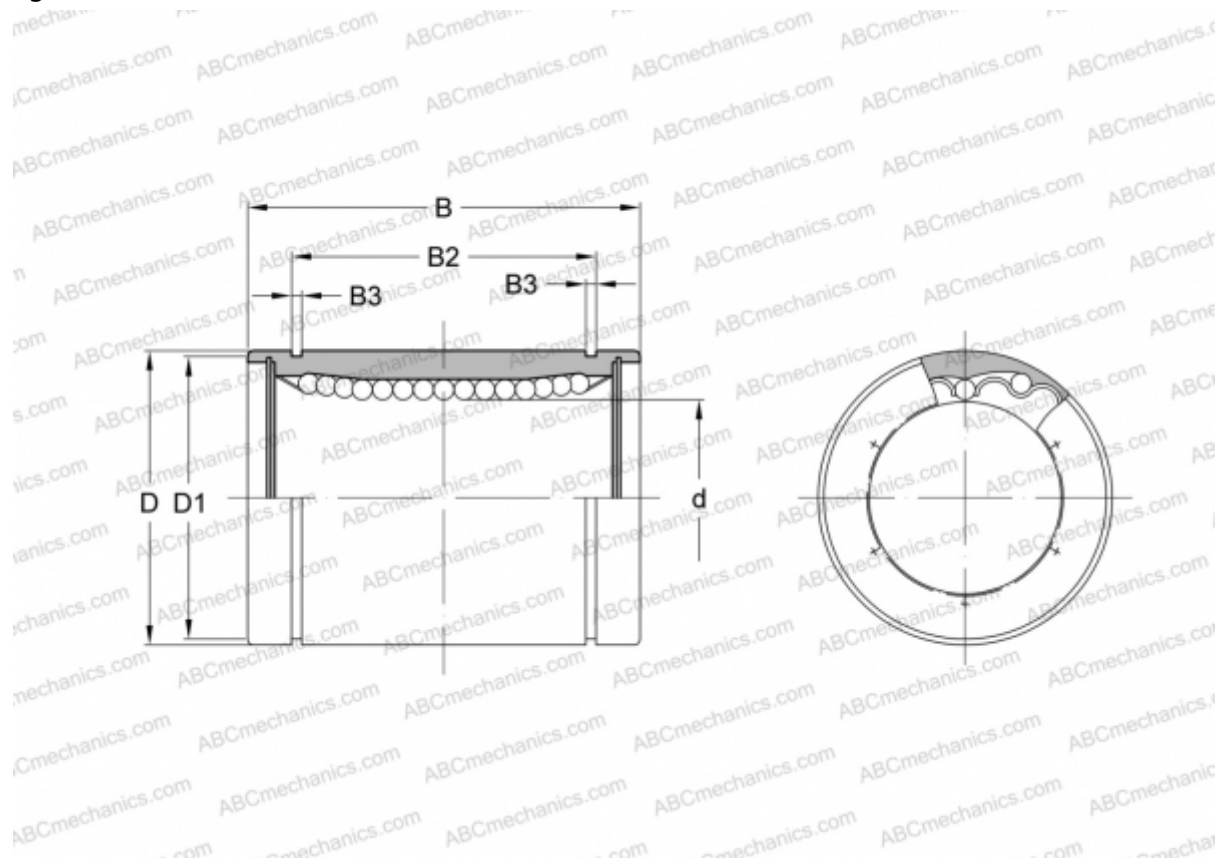


LME12 UU SAMICK

Linear bushing

TYPE: Shaft guidance systems, Linear bushing, Standard, Close type, Type LME, European standard, Plastic cage (SAMICK)



Technical specification

DIMENSIONS, MM

| | |
|----|--------|
| d | 12,000 |
| D | 22,000 |
| B | 32,000 |
| D1 | 21,000 |
| B2 | 22,900 |
| B3 | 1,300 |

WEIGHT, KG 0,041

MANUFACTURER [SAMICK](#)