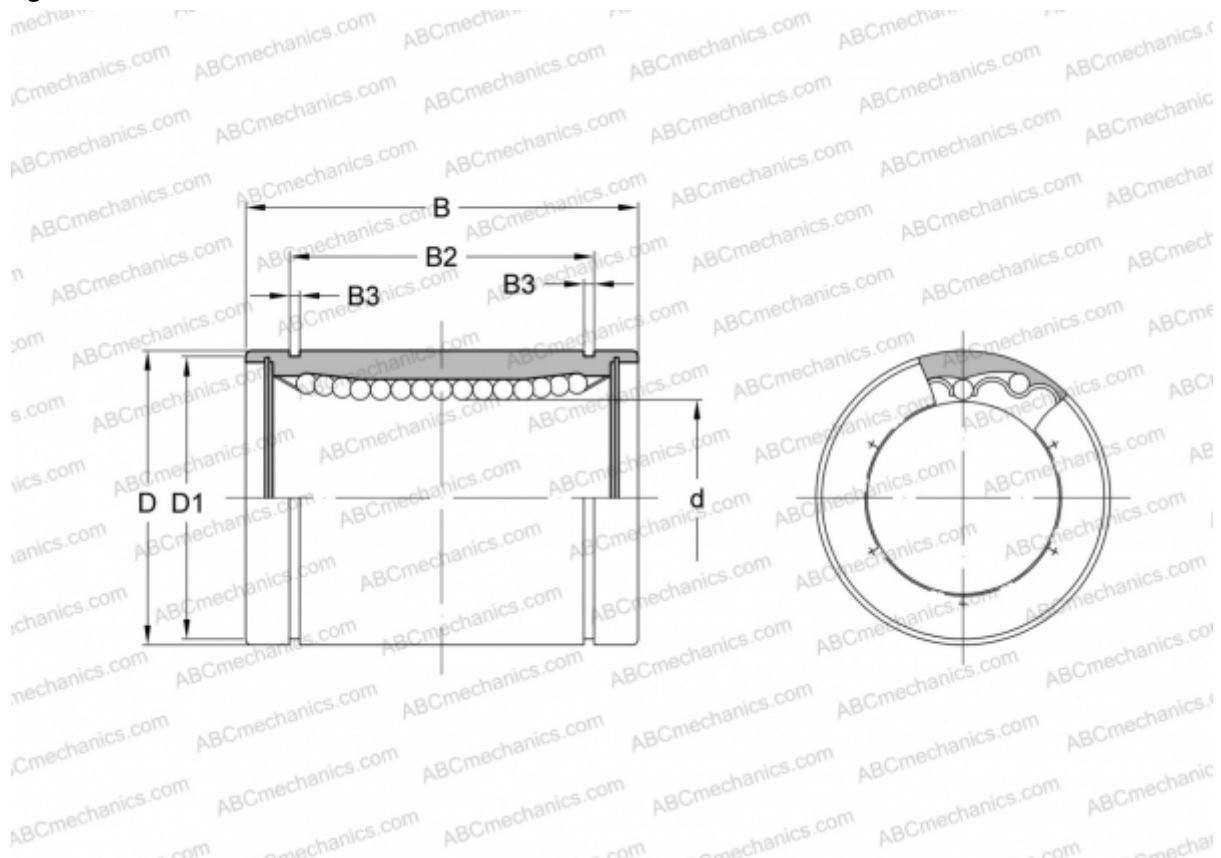


## LME25 UU SAMICK

Linear bushing

TYPE: Shaft guidance systems, Linear bushing, Standard, Close type, Type LME, European standard, Plastic cage (SAMICK)



### Technical specification

#### DIMENSIONS, MM

d	25,000
D	40,000
B	58,000
D1	37,500
B2	44,100
B3	1,850

**WEIGHT, KG** 0,215

**MANUFACTURER** [SAMICK](http://www.samick.com)