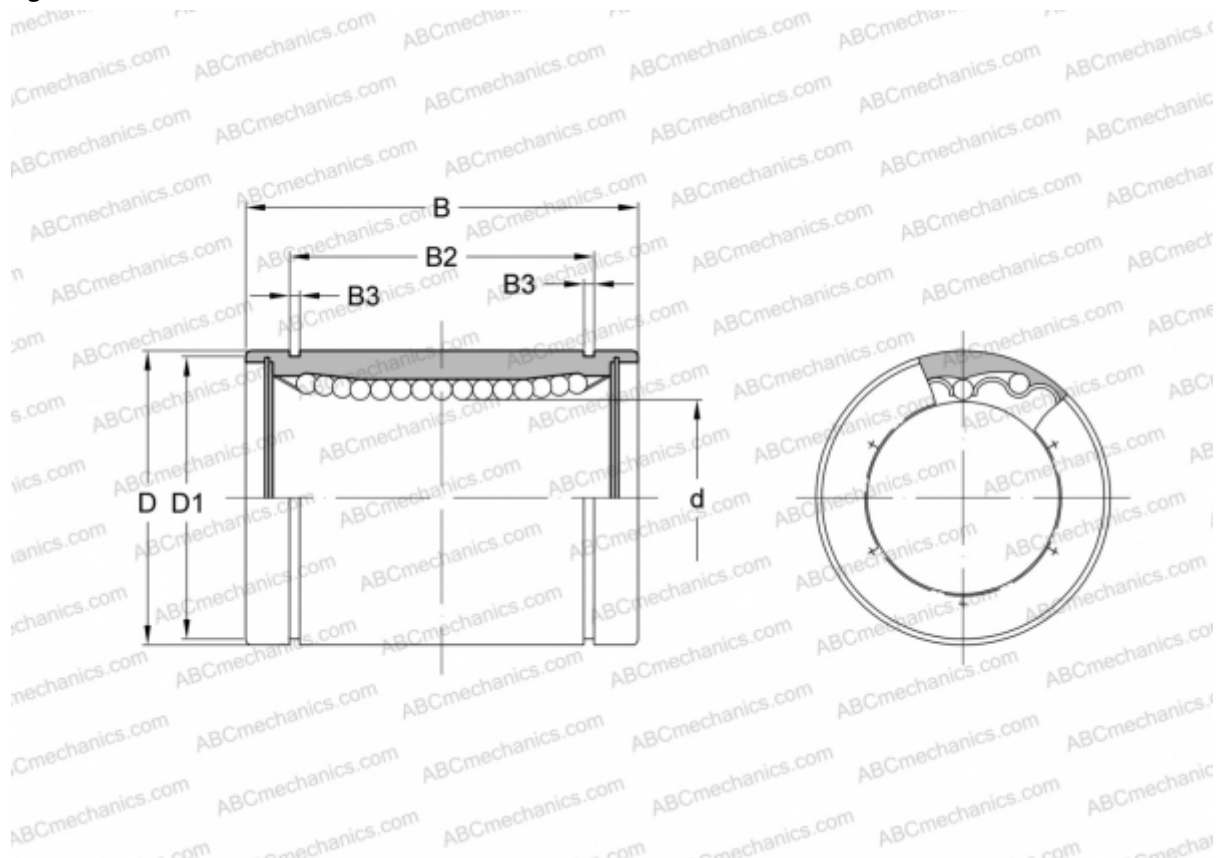


LME50 UU SAMICK

Linear bushing

TYPE: Shaft guidance systems, Linear bushing, Standard, Close type, Type LME, European standard, Plastic cage (SAMICK)



Technical specification

DIMENSIONS, MM

| | |
|----|---------|
| d | 50,000 |
| D | 75,000 |
| B | 100,000 |
| D1 | 72,000 |
| B2 | 77,600 |
| B3 | 2,650 |

WEIGHT, KG 1,130

MANUFACTURER [SAMICK](http://www.samick.com)