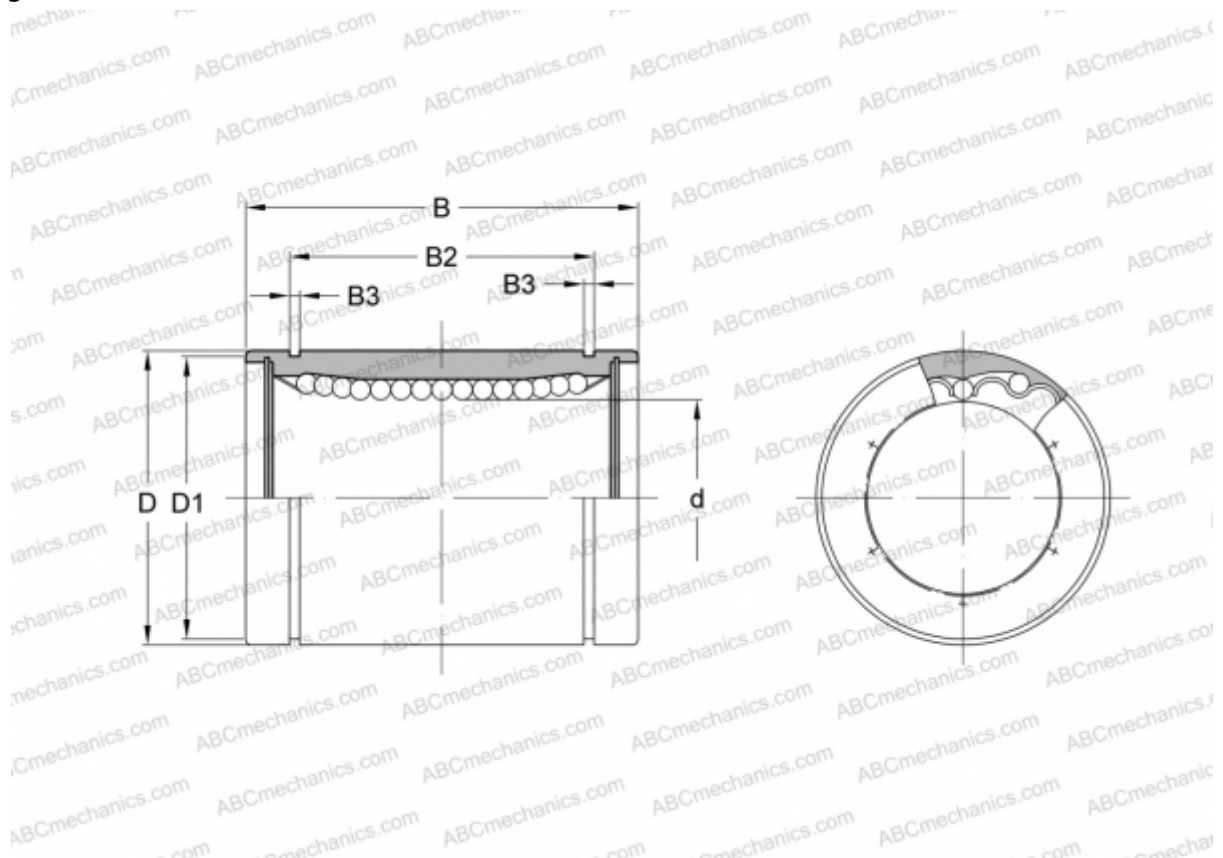


LME12 UU A SAMICK

Linear bushing

TYPE: Shaft guidance systems, Linear bushing, Standard, Close type, Type LME, European standard, Steel cage (SAMICK)



Technical specification

DIMENSIONS, MM

d	12,000
D	22,000
B	32,000
D1	21,000
B2	22,900
B3	1,300

WEIGHT, KG 0,041

MANUFACTURER [SAMICK](http://www.samick.com)