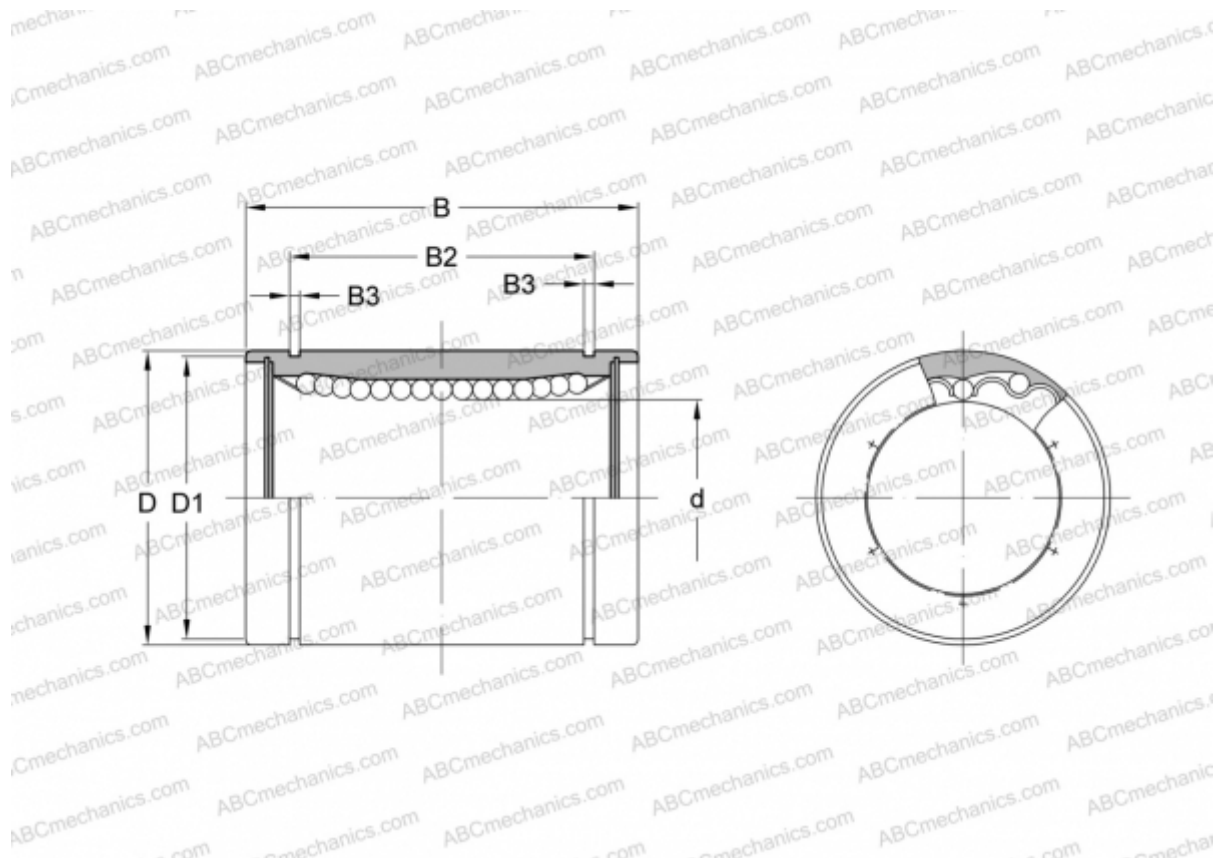


LM12 UU SAMICK

Linear bushing

TYPE: Shaft guidance systems, Linear bushing, Standard, Close type, Type LM, Asian standard, Plastic cage (SAMICK)



Technical specification

DIMENSIONS, MM

d	12,000
D	21,000
B	30,000
D1	20,000
B2	23,000
B3	1,300

WEIGHT, KG 0,032

MANUFACTURER [SAMICK](#)